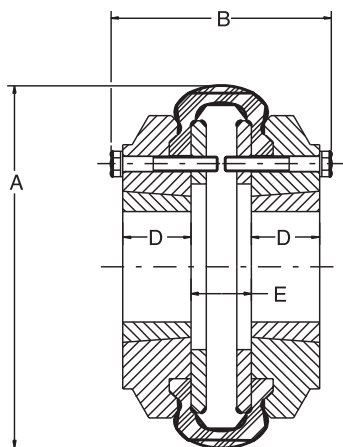


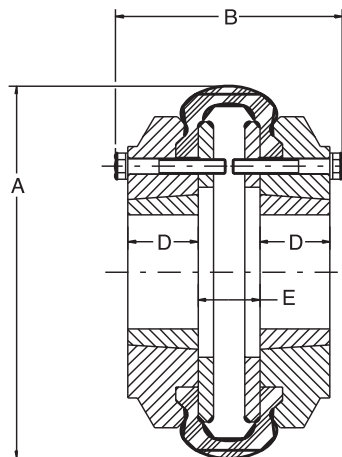


SELECTION/DIMENSIONS

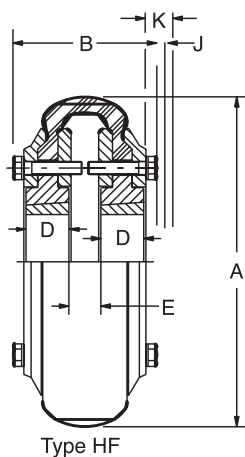
Standard, TAPER-LOCK



Style 1
Type H Taper-Lock

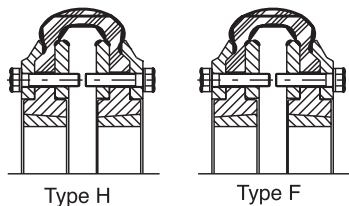


Style 1
Type F Taper-Lock



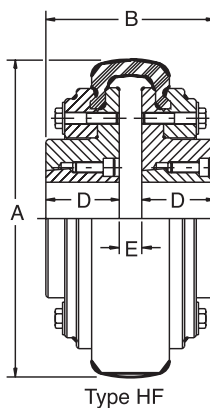
Type HF

Style 2 Taper-Lock couplings
with reversible flange



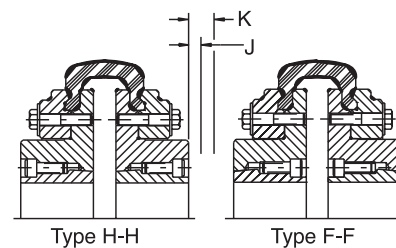
Type H

Type F



Type HF

Style 3 PARA-FLEX Taper-Lock couplings



Type H-H

Type F-F

<p>FEATURES/BENEFITS PAGE PT1-2</p>	<p>SPECIFICATION/HOW TO ORDER PAGE PT1-3</p>	<p>MODIFICATION/ACCESSORIES PAGE PT1-79</p>	<p>ENGINEERING/TECHNICAL PAGE PT1-81</p>
---	--	---	--



SELECTION/DIMENSIONS

Standard, TAPER-LOCK

Coupling Size	TAPER-LOCK Bushing Size	Max. Bore	HP/100	Torque (In-Lbs)	Max. RPM	Style	A	B	D	E	J (1)	K (2)	Weight (Lbs.) (3)	Inertia (Lb-Ft ²) (4)
PX40TL	1008	1	0.68	429	4500	1	4.25	3	0.88	0.77	0.63	0.75	4.2	0.05
PX50TL	1108	1-1/8	1.43	900	4500	1	5.25	2.75	0.88	0.53	0.63	0.75	4.7	0.07
PX60TL	1310	1-7/16	2.86	1800	4000	1	6.5	3.34	1	0.72	0.81	1.06	9.2	0.21
PX70TL	1610	1-11/16	3.49	2200	3600	2	7.38	3.56	1	0.95	0.81	1.06	13	0.3
PX70TLX-F	2012	2-1/8	3.49	2200	3600	3	7.38	3.83	1.25	0.95	0.94	1.38	14.8	0.3
PX80TL	2012	2-1/8	5.72	3605	3100	2	8.38	3.75	1.25	0.77	0.94	1.38	19.6	0.73
PX80TLX-F	2517	2-11/16	5.72	3605	3100	3	8.38	3.99	1.75	0.77	1	1.63	24.7	0.8
PX90TL	2517	2-11/16	7.15	4502	2800	2	9.25	4.03	1.75	0.33	1	1.63	28.8	1.3
PX100TL	2517	2-11/16	8.58	5402	2600	2	10	4.22	1.75	0.52	1	1.63	38	2.2
PX100TLX-F	3020	3-1/4	8.58	5402	2600	3	10	4.36	2	0.52	1.19	2.06	42.6	2.4
PX110TL	2517	2-11/16	12.3	7750	2300	2	11	4.53	1.75	0.47	1	1.63	52.1	3.7
PX110TLX-F	3020	3-1/4	12.3	7750	2300	3	11	4.75	2	0.47	1.19	2.06	57.2	3.9
PX110TLX-H	3020	3-1/4	12.3	7750	2300	3	11	4.75	2	0.47	1.19	2.06	57.2	3.9
PX120TL	3020	3-1/4	20	12605	2100	2	12.38	5.03	2	0.44	1.19	2.06	74.4	6.6
PX120TLX-F	3525	3-15/16	20	12605	2100	3	12.38	5.45	2.5	0.44	1.31	2.69	88.1	7.4
PX140TL	3535	3-15/16	44	27590	1840	3	14.13	7.81	3.5	0.81	1.31	2.69	156	18.7
PX160TL	4040	4-7/16	60	37800	1560	3	16.63	9.19	4	1.19	1.63	3.38	243	33.7
PX200TL	4545	4-15/16	131	82500	1300	3	20	10.31	4.5	1.31	1.94	4.06	417	101
PX240TL	5050	5	240	151200	1080	3	24.13	11.91	5	1.91	2.31	4.81	682	231
PX280TL	7060	7	480	302200	910	3	28.5	15.97	6	2.22	1.63	4.38	1148	544
PX320TL	8065	8	719	453000	810	3	32.5	16.31	6.5	2.06	1.63	4.38	1640	1077

- Notes:** (1) Space required to tighten bushing with shortened hex key.
 (2) Space required to loosen bushing with shortened hex key.
 (3) Weight of complete coupling with bushing.
 (4) Inertia of complete coupling with bushing.

Flange assemblies may be combined or interchanged for a given element size.
 Upon combination, dimensions B and E as well as mass and inertia should be average to determine appropriate value.

PT Component Reference Guide

Couplings

Clutches and Brakes

FLEXIDYNE

Fluid Couplings

TORQUE-TAMER

Bushings

FEATURES/BENEFITS PAGE PT1-2	SPECIFICATION/HOW TO ORDER PAGE PT1-3	MODIFICATION/ACCESSORIES PAGE PT1-79	ENGINEERING/TECHNICAL PAGE PT1-81
---------------------------------	--	---	--------------------------------------



SELECTION/DIMENSIONS

Standard, TAPER-LOCK Part Numbers

TAPER-LOCK Flange Assemblies

Coupling Size	Flange Assembly Part No.		TAPER-LOCK Bushing Size
	Type H	Type F	
PX40TL	000849	000848	1008
PX50TL	010601	*	1108
PX60TL	010602	*	1310
PX70TL	010603	*	1610
PX70TLX-F	-	395277	2012 •
PX80TL	010604	*	2012
PX80TLX-F	-	395278	2517 •
PX90TL	010605	*	2517
PX100TL	010606	*	2517
PX100TLX-F	-	395279	3020 •
PX110TL	010607	*	2517
PX110TLX-H	395281	-	3020 •
PX110TLX-F	-	395280	3020 •
PX120TL	010608	*	3020
PX120TLX-F	-	395282	3525 •
PX140TL	011134	011154	3535
PX160TL	011137	011157	4040
PX200TL	011140	011160	4545
PX240TL	011144	011164	5050
PX280TL	011455	011456	7060
PX320TL	011472	011471	8065

* PX50-PX120 have a reversible flange for type H or F mount
Complete coupling consists of (2) TAPER-LOCK Flange Assemblies.

(2) Taper-Lock Bushings, and (1) Element.

For Taper-Lock Bushings, see page/section _____

• These flanges require a metric bushing, see page _____

Elements

Coupling Size	Standard Part No.	Neoprene (1) Part No.	Cordless (2) Part No.
PX40	011529	012455	012456
PX50	011105	011296	011285
PX60	011106	011297	011286
PX70	011107	011298	011287
PX80	011108	011299	011288
PX90	011109	011300	011289
PX100	011110	011301	011290
PX110	011111	011302	---
PX120	011112	011303	011292
PX140	011114	011304	---
PX160	011117	011305	---
PX200	011120	011306	---
PX240	011124	011312	---
PX280	011457	011313	---
PX320	011463	011315	---

- (1) Neoprene element ratings are the same as the standard natural rubber element ratings. (Green sticker or painted mark)
- (2) Cordless elements have an average static torsional stiffness 25% of the standard element and approximately 25% of the torque rating. (White sticker or painted mark)

