

Fenaflex® Spacer Couplings



Fenaflex spacer couplings consist of a Fenaflex tyre coupling (size F40–F140) plus a spacer flange assembly.

They are designed for use on applications where it is an advantage to be able to move either shaft axially without disturbing the driving or driven machine (e.g. centrifugal pump rotors), Fenaflex spacer couplings are primarily designed for standard distance between shaft end dimensions of 80, 100, 140 and 180mm.

SELECTION

1. Select a suitable size of Fenaflex coupling using the method shown on page 110. Read down the first column in table below and locate the size of coupling selected.
2. Read across until the required distance between shaft ends can be accommodated.
3. Note the required spacer coupling designation at head of column.

4. Check from the Spacer Coupling Dimensions table below that the selected spacer/coupling combination can accommodate the machine shaft size.

Note

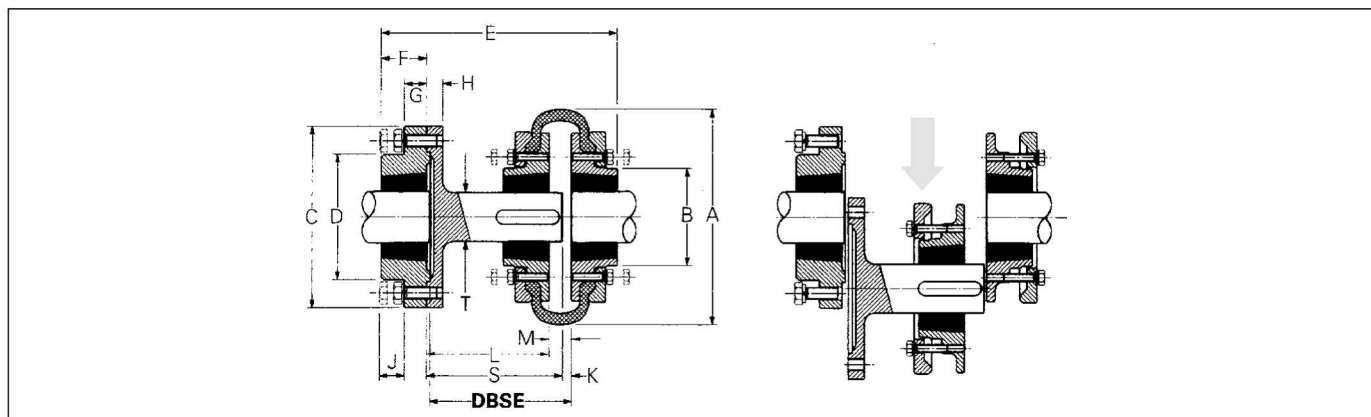
A full specification comprises:

- 1 x Spacer assembly      3 x Taper Lock bushes
- 2 x Fenaflex flanges      1 x Fenaflex tyre

DISTANCE BETWEEN SHAFT ENDS

Size	Distance between Shaft Ends (mm)																				
	SM12		SM16				SM25						SM30				SM35				
	80 (100)		100		140		100		140		180		140		180		140		180		
	Min	Max	Min	Max	Min	Max	Min	Max	Min	Max	Min	Max	Min	Max	Min	Max	Min	Max	Min	Max	
F40	80	100	100	113	140	150															
F50			100	116	140	156															
F60			100	124	140	164															
F70							100	114	140	154	180	194									
F80							100	117	140	157	180	197									
F90									140	158	180	198									
F100													140	158	180	198					
F110													140	156	180	196					
F120																	140	160	180	200	
F140																	140	163	180	203	

Note: Alternative distances between shaft ends may be accommodated. Consult your local Authorised Distributor.



SPACER COUPLING DIMENSIONS

Spacer	Nom DBSE	Fenaflex	Spacer Code	Spacer Bush Size	Max. Bore		Fenaflex Bush Size		A	B	C	D	E	F	G	H	J	K	L	M	S	T	
					mm	Inch	mm	Inch															
SM12	80	F40	033S1200	1210	32	1 1/4"	1008	25	1"	104	82	118	83	134	25	14	15	14	6	65	22	77	25
SM12	100	F40	033S1200	1210	32	1 1/4"	1008	25	1"	104	82	118	83	140	25	14	15	14	22	77	22	77	25
SM16	100	F40*	033T1600	1610	42	1 1/8"	1008	25	1"	104	82	127	80	157	25	18	15	14	9	88	22	94	32
SM16	140	F40*	033V1600	1610	42	1 1/8"	1008	25	1"	104	82	127	80	187	25	18	15	14	9	128	22	134	32
SM16	100	F50	033T1600	1610	42	1 5/8"	1210	32	1 1/4"	133	79	127	80	160	25	18	15	14	9	85	25	94	32
SM16	140	F50	033V1600	1610	42	1 5/8"	1210	32	1 1/4"	133	79	127	80	200	25	18	15	14	9	125	25	134	32
SM16	100	F60	033T1600	1610	42	1 5/8"	1610	42	1 5/8"	165	70	127	80	161	25	18	15	14	9	78	33	94	32
SM16	140	F60	033V1600	1610	42	1 5/8"	1610	42	1 5/8"	165	70	127	80	201	25	18	15	14	9	118	33	134	32
SM25	100	F70†	033T2500	2517	60	2 1/2"	2012	50	2"	187	80	178	123	180	45	22	16	14	9	80	23	94	48
SM25	140	F70†	033V2500	2517	60	2 1/2"	2012	50	2"	187	80	178	123	220	45	22	16	14	9	120	23	134	48
SM25	180	F70†	033W2500	2517	60	2 1/2"	2012	50	2"	187	80	178	123	260	45	22	16	14	9	160	23	174	48
SM25	100	F80	033T2500	2517	60	2 1/2"	2517	60	2 1/2"	211	95	178	123	193	45	22	16	14	9	78	25	94	48
SM25	140	F80	033V2500	2517	60	2 1/2"	2517	60	2 1/2"	211	95	178	123	233	45	22	16	14	9	118	25	134	48
SM25	180	F80	033W2500	2517	60	2 1/2"	2517	60	2 1/2"	211	95	178	123	273	45	22	16	14	9	158	25	174	48
SM25	140	F90	033V2500	2517	60	2 1/2"	2517	60	2 1/2"	235	108	178	123	233	45	22	16	14	9	116	27	134	48
SM25	180	F90	033W2500	2517	60	2 1/2"	2517	60	2 1/2"	235	108	178	123	273	45	22	16	14	9	156	27	174	48
SM30	140	F100	033V3000	3020	75	3"	3020	75	3"	254	120	216	146	245	51	29	20	17	9	116	27	134	60
SM30	180	F100	033V3000	3020	75	3"	3020	75	3"	254	120	216	146	285	51	29	20	17	9	156	27	174	60
SM30	140	F110	033V3000	3020	75	3"	3020	75	3"	279	134	216	146	245	51	29	20	17	9	118	25	134	60
SM30	180	F110	033W3000	3020	75	3"	3020	75	3"	279	134	216	146	285	51	29	20	17	9	158	25	174	60
SM35	140	F120†	033V3500	3525	100	4"	3525	100	4"	314	140	248	178	272	63	34	20	17	9	114	29	134	80
SM35	180	F120†	033V3500	3525	100	4"	3525	100	4"	314	140	248	178	312	63	34	20	17	9	154	29	174	80
SM35	140	F140	033V3500	3525	100	4"	3525	100	4"	359	178	248	178	271	63	34	20	17	9	111	32	134	80
SM35	180	F140	033W3500	3525	100	4"	3525	100	4"	359	178	248	178	312	63	34	20	17	9	151	32	174	80

Note: Larger sizes of spacer coupling can be manufactured to order. Consult your local Authorised Distributor.

\* F40 'B' Flange must be used to fit spacer shaft.

† 'F' Flange must be used to fit spacer shaft.