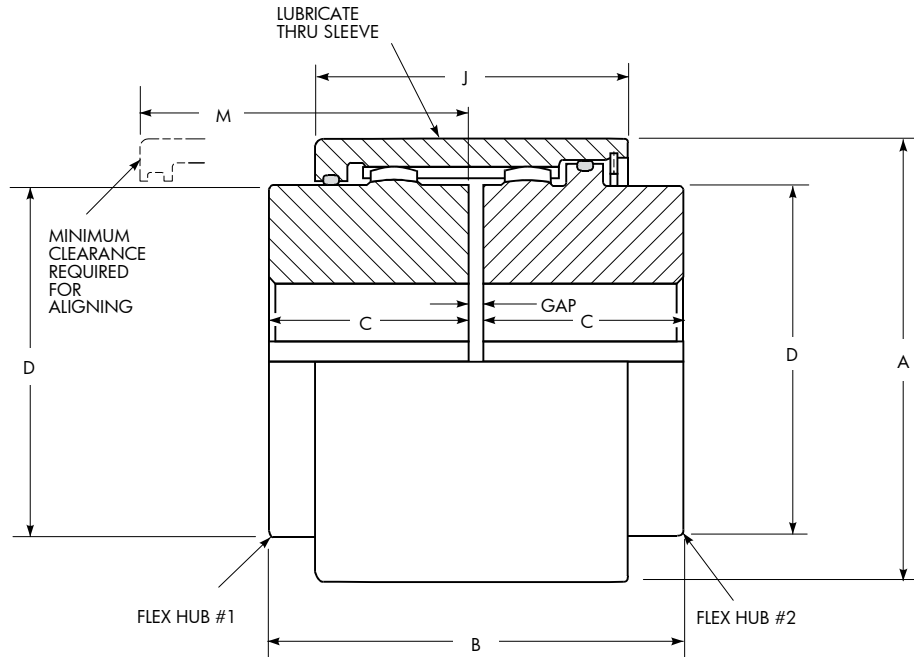


Type GC02 Continuous Sleeve Double Engagement



Dimensions (in)

Size ①	Torque Rating (lb-in) ②	Allow Speed RPM ③	Max Bore (sq key) ④	Min Bore ⑤	Cplg Wt with No Bore (lb)	Lube Wt (oz)	A	B	C	D	J	M	GAP
1010GC	10,080	5,300	1.875	0.50	7.6	0.4	3.50	3.50	1.69	2.70	2.41	2.57	0.125
1015GC	20,790	4,300	2.375	0.75	13.6	1.0	4.30	4.01	1.94	3.40	3.00	3.19	0.125
1020GC	37,800	3,700	2.875	1.00	25	1.5	5.20	5.00	2.44	4.14	3.72	3.90	0.125
1025GC	66,150	3,300	3.625	1.25	47	2.3	6.44	6.25	3.03	5.14	4.30	4.55	0.188
1030GC	107,100	2,900	4.125	1.50	75	3.3	7.50	7.37	3.59	6.00	4.72	4.97	0.188
1035GC	163,800	2,600	4.875	2.00	114	4.3	8.50	8.63	4.19	7.00	5.25	5.50	0.250

① See **page 11** for General Information.

② Peak torque capacity is two times the published rating.

③ Consult Factory for higher speeds. Balancing may allow up to a 50% increase in speeds shown.

④ Maximum bores are reduced for hubs furnished with an interference fit and a setscrew over the keyway. Maximum bores may also be reduced when puller bolt holes are required. Refer to **Table 13 and Table 14** on **page 43**. Bore capacities can be increased beyond values shown if the coupling torque rating is reduced. Refer to the Factory. Recommended key sizes for the listed maximum bores are shown in **Table 37, page 52**.

⑤ Minimum bore is the smallest bore to which a Rough Stock Bore (RSB) hub can be bored. Depending upon coupling size, RSB hubs may have only a blind centering hole or a through hole that will permit remachining of the hubs to the minimum bores specified.