

Discflex



A general purpose fail safe, torsionally flexible coupling, offering the option of either urethane or reinforced rubber disc, as the flexible element.

Coupling capacity

- Maximum power @ 100RPM: 45kW
- Maximum torque: 4298Nm

Features and benefits

- Compact design, dimensionally small yet high power capacity.
- Torsionally flexible - shock absorbing, extending machine life.
- Maintenance free - minimum number of wearing parts.
- Misalignment capabilities allowing flexibility installation.
- Alternative flexible elements available for wide design choice.

- Optional fire retardant anti-static elements for use in flameproof environment.
- Taper bush bores available for ease of maintenance.

Standard range comprises

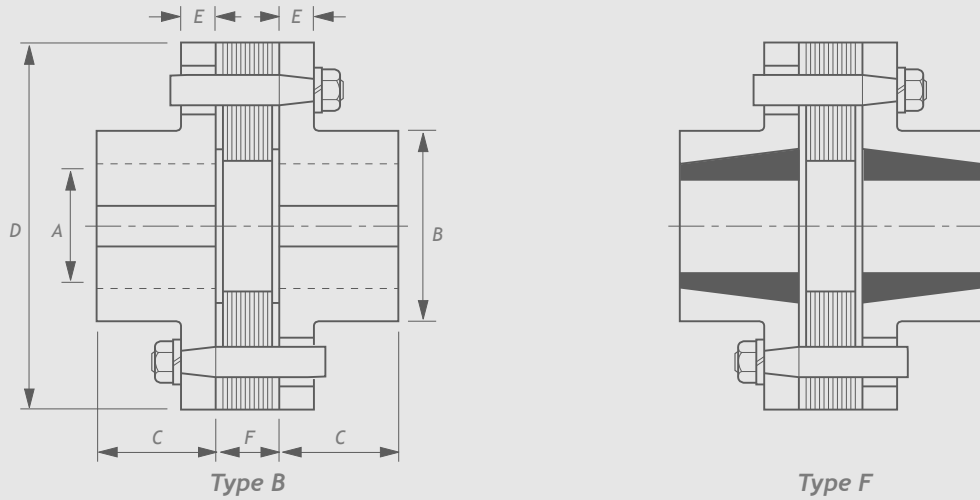
- Shaft to Shaft

Applications

- Bottling Machines
- Compressors
- Mixers
- Pumps
- Screens
- General Industrial Applications

Construction details

- Cast Iron Half Bodies
- Urethane Disc
Temp Range -40 to +80°C
- Rubber Reinforced Disc
Temp Range -40 to +90°C



Catalogue number	Power/ 100rpm kW	Torque nominal Nm	Speed max* rpm	Type B		Type F			Dimensions						End float mm
				Bore		Bush size	Bore		B mm	C mm	D mm	E mm	F mm	Mass kg	
				Max	Min		Max	Min							
D41# # N #	0.75	72	2900	32	12	TB1008	25	9	58	25	104	11	16	2.1	1.8
D52# # N #	1.5	143	2250	42	19	TB1215	32	11	72	41	133	13	26	4.9	2.5
D52# # S #	2.25	215												5.0	2.5
D52# #W #	3	287												5.1	2.5
D71# # N #	3.75	358	1650	60	28	TB2017	50	18	102	48	181	16	27	11.0	3
D71# # S #	5.25	501												11.1	3
D71# #W #	7.5	716												11.2	3
D89# # N #	9	860	1300	75	32	TB2525	60	19	121	70	225	18	40	20.8	3.8
D89# # S #	12	1146												21.0	3.8
D89# #W #	15	1433												21.7	3.8
D108# # NR	19	1791	1050	95	38	TB3030	75	35	155	83	274	22	51	40.0	4.6
D108# # SR	23	2149												41.0	4.6
D108# #WR	26	2507												41.0	4.6
D127# # NR	30	2865	900	110	55	TB3535	90	35	185	95	324	25	61	65.0	5.3
D127# # SR	38	3581												66.0	5.3
D127# #WR	45	4298												67.0	5.3

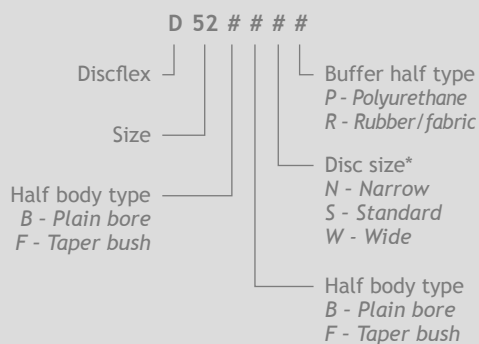
* Normal maximum speeds with 1° max. angular malalignment, above these speeds consult our Sales Technical Staff.

Max angular misalignment 1°

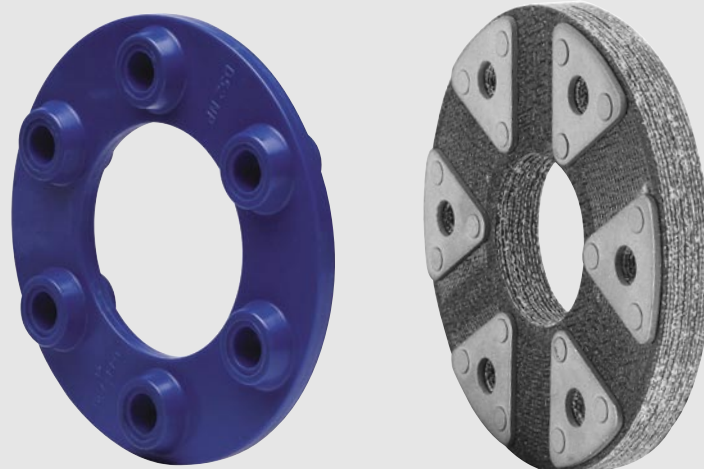
Max offset misalignment 0.5mm

Discflex

Ordering code



* Disc size depending on torque transmitted.



Component Spares

Coupling number	Product no 'BB' type	Product no 'FF' type	Polyurethane disc	Rubber/fabric disc	Pin assembly	Half body pilot bored	Half body taped bored
D41 ## NP	644763	644763/77	644733	-	644204	644205	644205/77
D41 ## NR	647263	647263/77	-	647233	644204	644205	644205/77
D52 ## NP	644766	644766/77	644736	-	644207	644208	644208/77
D52 ## NR	647266	647266/77	-	647236	644207	644208	644208/77
D52 ## SP	644767	644767/77	644737	-	644207	644208	644208/77
D52 ## SR	647267	647267/77	-	647237	644207	644208	644208/77
D52 ## WP	644768	644768/77	644738	-	644207	644208	644208/77
D52 ## WR	647268	647268/77	-	647238	644207	644208	644208/77
D71 ## NP	644769	644769/77	644739	-	644210	644211	644211/77
D71 ## NR	647269	647269/77	-	647239	644210	644211	644211/77
D71 ## SP	644770	644770/77	644740	-	644210	644211	644211/77
D71 ## SR	647270	647270/77	-	647240	644210	644211	644211/77
D71 ## WP	644771	644771/77	644741	-	644210	644211	644211/77
D71 ## WR	647271	647271/77	-	647241	644210	644211	644211/77
D89 ## NP	644772	644772/77	644742	-	644213	644214	644214/77
D89 ## NR	647272	647272/77	-	647242	644213	644214	644214/77
D89 ## SP	644773	644773/77	644743	-	644213	644214	644214/77
D89 ## SR	647273	647273/77	-	647243	644213	644214	644214/77
D89 ## WP	644774	644774/77	644744	-	644213	644214	644214/77
D89 ## WR	647274	647274/77	-	647244	644213	644214	644214/77
D108 ## NR	647275	647275/77	-	647245	644216	644217	644217/77
D108 ## SR	647276	647276/77	-	647246	644216	644217	644217/77
D108 ##WR	647277	647277/77	-	647247	644216	644217	644217/77
D127 ## NR	647278	647278/77	-	647248	644219	644220	644220/77
D127 ## SR	647279	647279/77	-	647249	644219	644220	644220/77
D127 ##WR	647280	647280/77	-	647250	644219	644220	644220/77