

Single Flex Coupling GR Series - Form-Flex®

Single Flex Short Spacing



Size	Torque Rating			Max Speed (RPM)		Max Radial Load (kg)	Weight (kg) (1)	WR ² (kg-m ²) (1)	Misalignment Capacity	
	kW/100 (RPM)	Max Continuous (Nm)	Peak Overload (Nm)	AGMA 8	ABS. Max				Axial (+/- mm)	Angular (Degrees/ Disc Pack)
311	13.0	1,243	2,486	8,000	13,000	164	5.0	0.012	0.356	0.5°
321	24.3	2,316	4,632	7,400	12,000	364	8.1	0.023	0.368	
332	37.9	3,615	7,231	6,600	11,500	591	11.9	0.042	0.381	
346	54.4	5,197	10,394	6,100	9,000	591	17.3	0.079	0.635	
380	94.7	9,039	18,077	5,500	7,000	1,091	24.1	0.137	1.02	
412	142	13,558	27,116	5,200	6,000	1,091	32.9	0.274	1.02	0.33°
419	225	21,467	42,933	4,600	5,000	1,909	58.8	0.612	1.27	
424	355	33,894	67,789	4,200	5,000	1,909	89.0	1.445	1.27	
444	515	49,147	98,294	3,800	4,000	2,409	132.5	2.465	1.40	
456	758	72,308	144,616	3,600	3,500	3,045	165.4	3.870	1.52	
483	982	93,775	187,549	3,300	3,500	3,727	232.7	6.099	1.65	
511	1420	135,578	271,156	3,100	3,000	4,455	307.8	10.850	1.78	
520	2367	225,963	451,926	2,800	2,500	7,136	549	21.026	2.29	
525	2959	282,454	564,908	2,700	2,500	8,136	669	33.34	2.54	
530	3551	338,945	677,890	2,500	2,500	9,545	796	43.49	2.54	
540	4735	451,926	903,853	2,300	2,000	10,455	1210	101.53	3.05	

1) Weight and WR² values shown are for standard hubs at max inch bore.

STANDARD MATERIALS

HUBS - CARBON STEEL

SPACER - CARBON STEEL

HARDWARE - ALLOY STEEL

DISC PACKS - STAINLESS STEEL

MATERIAL / FINISH OPTIONS

DISC PACKS - ALLOY STEEL (For cost reduction, available for sizes 412 to 540)

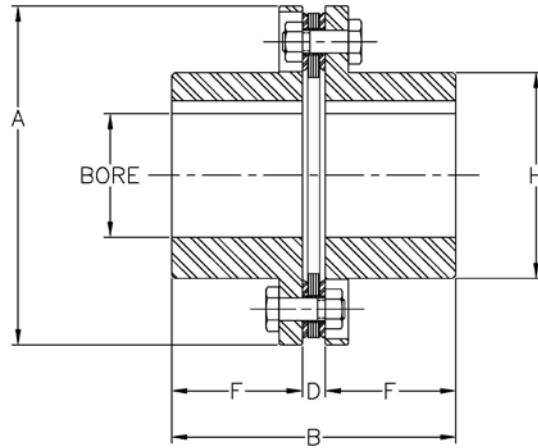
ZINC ELECTRO PLATING

ZINC PHOSPHATE COATING

ALLOY STEEL HUBS

Single Flex Coupling GR Series - Form-Flex®

Single Flex Short Spacing



Size	Max Bore						Common Coupling Dimensions (mm)						
	Standard Hub			Oversized/Large Hub			A	B	D DBSE	F	G	H	
	Rect. Key (mm)	Rect. Key (in)	Square Key (in)	Rect. Key (mm)	Rect. Key (in)	Square Key (in)						Std Hub	O/S Hub
311	78	3.063	2.813	86	3.313	3.125	149.4	137.2	10.2	63.5	10.2	99.2	109.3
321	83	3.250	3.000	90	3.438	3.250	162.1	166.3	13.9	76.2	14.0	108.0	116.1
332	87	3.313	3.188	95	3.688	3.438	182.9	168.0	15.6	88.9	15.5	114.3	125.6
346	107	4.000	3.750	117	4.500	4.250	208.3	168.0	15.6	95.3	15.6	137.7	151.0
380	105	4.000	3.750	118	4.500	4.250	239.3	232.2	22.6	104.8	22.6	143.5	160.0
412	120	4.500	4.500	135	5.125	4.750	279.4	234.8	18.9	108.0	18.9	165.4	182.8
419	130	4.875	4.500	150	5.625	5.500	317.5	278.9	24.9	127.0	24.9	185.9	205.0
424	190	6.880	6.625				381.0	342.4	24.9	158.8	24.9	243.1	
444	200	7.375	7.000				415.9	383.3	27.7	177.8	27.7	267.2	
456	220	8.000	8.000				457.2	401.7	33.4	184.2	33.4	295.4	
483	234	8.875	8.250				493.7	467.1	35.3	215.9	35.3	319.1	
511	280	10.125	10.000				558.8	496.7	39.5	228.6	39.5	368.3	
520	297	11.000	10.375				631.8	651.3	48.0	301.6	48.0	405.4	
525	322	12.000	11.000				679.5	659.1	49.5	304.8	49.5	440.7	
530	338	12.750	11.500				711.2	701.9	54.2	323.9	54.2	466.1	
540	448	17.000	15.750				850.9	827.4	65.4	381.0	65.4	574.7	

ORDERING

GR SERIES COUPLINGS ARE SOLD AS COMPONENTS

COUPLINGS CONSIST OF:

2 - HUBS - Example (GH346 x 55 MM)

1 - REPAIR KIT - Example (G346SF)