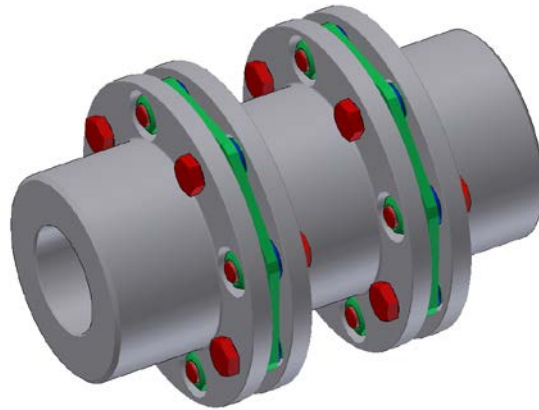


Spacer Coupling GP Series - Form-Flex®

Double Flex Spacer



Size	Torque Rating			Max Speed (RPM)		Weight (kg) (1)		WR ² (kg-m ²) (1)		Misalignment Capacity	
	kW / 100 (RPM)	Max Continuous (Nm)	Peak Overload (Nm)	AGMA 8	ABS. Max	at D Min	Add Per cm of D	at D Min	Add Per cm of D	Axial (+/- mm)	Angular (Degrees/ Disc Pack)
311	13.0	1,243	2,486	5,400	13,000	7.36	0.11	0.020	0.00024	0.711	0.5°
321	24.3	2,316	4,632	4,900	12,000	11.70	0.12	0.036	0.00029	0.737	
332	37.9	3,615	7,231	4,400	11,500	18.30	0.17	0.071	0.00049	0.762	
346	54.4	5,197	10,394	4,100	9,000	24.74	0.18	0.126	0.00080	1.27	
380	94.7	9,039	18,077	3,800	7,000	36.05	0.21	0.232	0.00101	2.03	
412	142	13,558	27,116	3,500	6,000	50.03	0.26	0.470	0.00153	2.03	0.33°
419	225	21,467	42,933	3,000	5,000	89.92	0.42	1.071	0.00322	2.54	
424	355	33,894	67,789	2,750	5,000	130.7	0.55	2.378	0.00720	2.54	
444	515	49,147	98,294	2,500	4,000	187.9	0.60	3.976	0.01003	2.79	
456	758	72,308	144,616	2,350	3,500	244.8	0.85	6.408	0.01538	3.05	
483	982	93,775	187,549	2,200	3,500	330.6	0.96	9.848	0.02247	3.30	
511	1420	135,578	271,156	2,050	3,000	444.7	1.21	17.582	0.03575	3.56	
520	2367	225,963	451,926	1,750	2,500	796	1.81	33.65	0.06756	4.57	
525	2959	282,454	564,908	1,700	2,500	960	1.98	54.42	0.08784	5.08	
530	3551	338,945	677,890	1,600	2,500	1151	2.76	71.22	0.13373	5.08	
540	4735	451,926	903,853	1,450	2,000	1741	3.44	163.27	0.25894	6.10	

1) Weight and WR² values shown are for standard hubs at max inch bore and spacer length at D Min

STANDARD MATERIALS

HUBS - CARBON STEEL

SPACER - CARBON STEEL

HARDWARE - ALLOY STEEL

DISC PACK - STAINLESS STEEL

MATERIAL / FINISH OPTIONS

DISC PACK - ALLOY STEEL (For cost reduction, available for sizes 412 to 540)

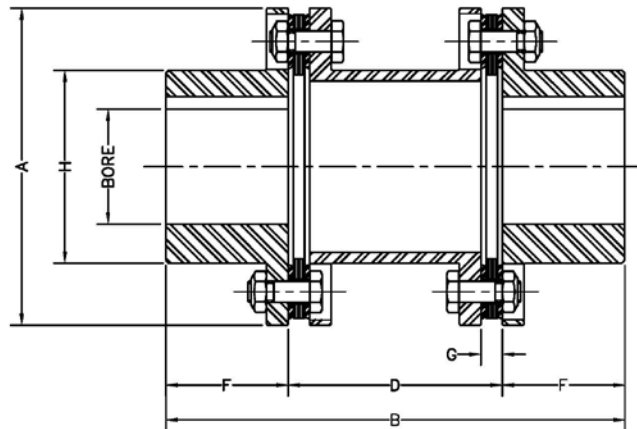
ZINC ELECTRO PLATING

ZINC PHOSPHATE COATING

ALLOY STEEL HUBS

Spacer Coupling GP Series - Form-Flex®

Double Flex Spacer



COUPLING CAN BE SUPPLIED TO API610 11TH EDITION

Size	Max Bore						Common Coupling Dimensions (mm)								
	Standard Hub			Oversized/Large Hub			A	B		D DBSE		F	G	H	
	Rect. Key (mm)	Rect. Key (in)	Square Key (in)	Rect. Key (mm)	Rect. Key (in)	Square Key (in)		Min	Max	Min	Max			Std Hub	O/S Hub
311	78	3.063	2.813	86	3.313	3.125	149.4	204.8	450.9	77.8	323.9	63.5	10.2	99.2	109.3
321	83	3.250	3.000	90	3.438	3.250	162.1	257.2	484.2	104.8	331.8	76.2	14.0	108.0	116.1
332	87	3.313	3.188	95	3.688	3.438	182.9	279.4	487.4	127.0	335.0	88.9	15.5	114.3	125.6
346	107	4.000	3.750	117	4.500	4.250	208.3	279.4	639.8	127.0	487.4	95.3	15.6	137.7	151.0
380	105	4.000	3.750	118	4.500	4.250	237.7	381.0	711.2	171.5	501.7	104.8	22.6	143.5	160.0
412	120	4.500	4.500	135	5.125	4.750	279.4	360.4	709.6	144.5	493.7	108.0	18.9	165.4	182.8
419	130	4.875	4.500	150	5.625	5.500	317.5	449.3	760.4	195.3	506.4	127.0	24.9	185.9	205.0
424	190	6.880	6.625				381.0	512.8	823.9	195.3	506.4	158.8	24.9	243.1	
444	200	7.375	7.000				415.9	577.9	866.8	222.3	511.2	177.8	27.7	267.2	
456	220	8.000	8.000				457.2	617.6	892.2	249.3	523.9	184.2	33.5	295.4	
483	234	8.875	8.250				493.7	703.3	958.9	271.5	527.1	215.9	35.3	319.1	
511	280	10.125	10.000				558.8	754.1	992.2	296.9	535.0	228.6	39.6	368.3	
520	297	11.000	10.375				631.8	977.9	1155.7	374.7	552.5	301.6	48.0	405.4	
525	322	12.000	11.000				679.5	1000.1	1165.2	390.5	555.6	304.8	49.5	440.7	
530	338	12.750	11.500				711.2	1063.6	1212.9	415.9	565.2	323.9	54.2	466.1	
540	448	17.000	15.750				850.9	1244.6	1374.8	482.6	612.8	381.0	65.4	574.7	

ORDERING

GP SERIES COUPLINGS ARE SOLD AS COMPLETE ASSEMBLIES
 PLEASE SPECIFY BORE SIZES, DISC PACK MATERIAL AND DBSE.
 A COUPLING WILL BE CONFIGURED TO MEET YOUR SPECIFICATIONS.