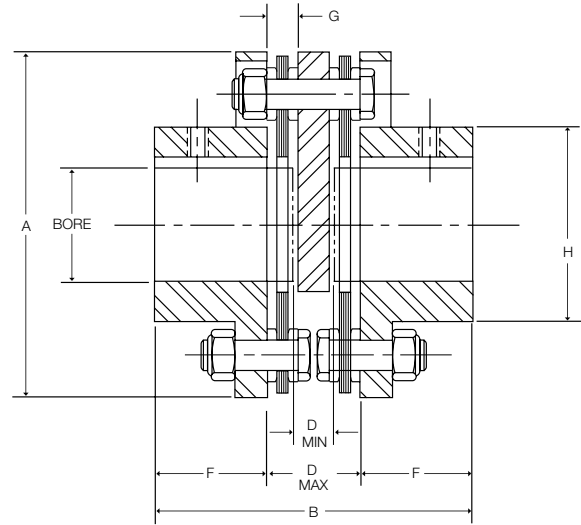


Close Coupled Coupling AY Series - Form-Flex®

Positioning Applications - Double Flex Short Spacer

The AY series is specifically designed for positioning applications where a servo or stepper drive is C flange mounted and connects to a ball screw. The AY accommodates the small amounts of angular and parallel misalignment with an absolute minimum size package, zero backlash and high torsional stiffness. The AY is made up of two hubs, a steel spacer block, two stainless steel disc packs and AY hardware. The coupling must be installed as an assembled unit. The spacer is not service removable.



Size	Max Bore				Dimensions (mm)*							
	AJ		AZ		A	B	DBSE		F	G	H	Disc Pack I.D.**
	(mm)	(in)	(mm)	(in)			D** Min	D Max				
5	22	0.875	30	1.19	67.3	72.4	12.4	21.6	25.4	6.1	33.0	25.4
10	33	1.250	43	1.63	81.0	73.9	12.7	23.1	25.4	6.9	45.7	29.7
15	36	1.375	48	1.75	92.7	84.6	14.2	27.2	28.7	8.1	50.8	32.5
20	46	1.688	58	2.13	103.6	95.5	14.2	28.4	33.5	8.6	61.0	41.9
25	53	2.000	68	2.56	125.7	121.2	22.1	38.9	41.1	11.4	71.1	45.2

* Dimension shown are for AJ hubs unless otherwise specified.

** Shaft O.D. must be less than Disc Pack I.D. in order to extend shafts into the coupling to meet D Min dimensions.

Size	kW/100 RPM	Rated Torque (Nm)	Peak O/L Torque (Nm)	AGMA 7 Max RPM	Weight (kg) (1)	WR ² (kg-cm ²) (1)	Misalignment Capacity	
							Axial (+/-mm)	Angular (Degrees/Disc Pack)
5	0.36	34	68	8,500	0.75	3.63	0.76	1°
10	0.95	90	181	7,500	1.22	9.01	1.01	
15	1.87	178	356	6,700	1.92	18.76	1.06	
20	2.60	249	497	6,200	2.50	29.03	1.39	
25	4.50	429	859	5,500	4.45	80.77	1.52	

1) Weight and WR2 values shown are for AJ hubs at max inch bore.

STANDARD MATERIALS (CLASS A)

HUBS - CARBON STEEL

SPACER - CARBON STEEL

HARDWARE - ALLOY STEEL

DISC PACK - STAINLESS STEEL

ORDERING

AY SERIES COUPLINGS ARE SOLD AS COMPONENTS

COUPLINGS CONSIST OF:

2 - HUBS - Example (AJ25A x 35 MM)

1 - SPACER SUB-ASSEMBLY - Example (AY25SAA)

MATERIAL / FINISH OPTIONS

CLASS A - Mild steel hubs and spacer, alloy steel hardware, 300 series stainless steel disc pack

CLASS B - Zinc plated steel hubs, and spacer, alloy steel hardware, 300 series stainless steel disc pack