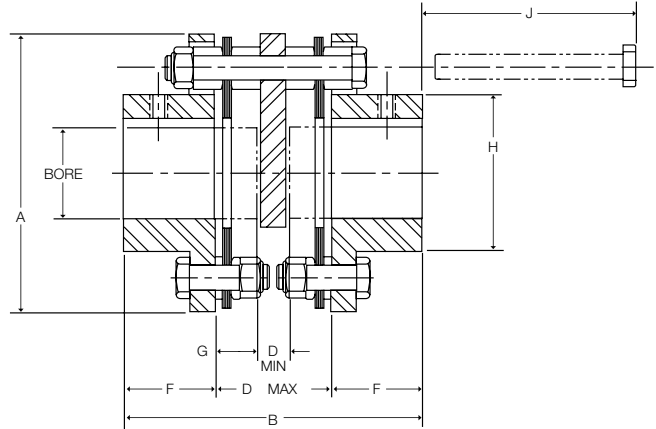


Close Coupled Coupling AX Series - Form-Flex®

General Use - Double Flex Short Spacer

The AX series close coupling is made up of two hubs, a steel spacer block, two stainless steel disc packs and AX hardware. A special bolting arrangement supports the spacer between the flex discs. The AX is an economical design that is well suited to many general purpose applications. The AX accommodates close shaft separations when it is installed with the shafts extending through the flex discs into the center of the coupling. The shaft diameter must be less than the disc pack I.D. listed in the dimensional table.



Size	Max Bore				Dimensions (mm)*									
	AJ		AZ		A	B	DBSE		F	G	H	J	DISC PACK I.D.**	
	(mm)	(in)	(mm)	(in)			D** Min	D Max						
5	22	0.875	30	1.19	67.3	84.8	9.7	34.0	25.4	12.2	33.0	42.7	25.4	
10	33	1.250	43	1.63	81.0	86.4	11.2	35.6	25.4	12.2	33.0	45.5	29.7	
15	36	1.375	48	1.75	92.7	96.5	16.0	39.1	28.7	11.2	50.8	47.0	32.5	
20	46	1.688	58	2.13	103.6	107.2	16.0	40.1	33.5	12.2	61.0	42.2	41.9	
25	53	2.000	68	2.56	125.7	136.1	19.1	53.8	41.1	17.5	71.1	60.7	45.2	
30	63	2.380	79	2.88	143.0	160.0	25.4	64.5	47.8	19.6	83.8	80.8	51.1	
35	80	2.938	101	3.75	168.4	182.1	28.7	67.8	57.2	19.6	105.4	71.4	68.8	

* Dimension shown are for AJ hubs unless otherwise specified.

** Shaft O.D. must be less than Disc Pack I.D. in order to extend shafts into the coupling to meet D Min dimensions.

Size	kW/100 RPM	Rated Torque (Nm)	Peak O/L Torque (Nm)	Max RPM	Weight (kg) (1)	WR ² (kg-cm ²) (1)	Misalignment Capacity	
							Axial (+/-mm)	Angular (Degrees/Disc Pack)
5	0.36	34	51	3,600	0.74	3.69	.076	1°
10	0.95	90	136	3,500	1.13	8.49	1.01	
15	1.87	178	267	3,450	1.75	16.97	1.06	
20	2.60	249	373	3,350	2.32	26.81	1.39	
25	4.50	429	644	3,200	4.15	76.38	1.52	
30	8.21	783	1174	3,000	6.27	151.3	1.65	
35	13.4	1281	1922	2,800	9.59	316.1	2.16	

1) Weight and WR² values shown are for AJ hubs at max inch bore.

STANDARD MATERIALS (CLASS A)

HUBS - CARBON STEEL

SPACER - CARBON STEEL

HARDWARE - ALLOY STEEL

DISC PACKS - STAINLESS STEEL

ORDERING

AX SERIES COUPLINGS ARE SOLD AS COMPONENTS

COUPLINGS CONSIST OF:

2 - HUBS - Example (AJ25A x 35 MM)

1 - SPACER SUB-ASSEMBLY - Example (AX25SAA)

STANDARD MATERIALS (CLASS A)

CLASS A - Mild steel hubs and spacer, alloy steel hardware, 300 series stainless steel disc packs

CLASS B - Zinc plated steel hubs, and spacer, alloy steel hardware, 300 series stainless steel disc packs