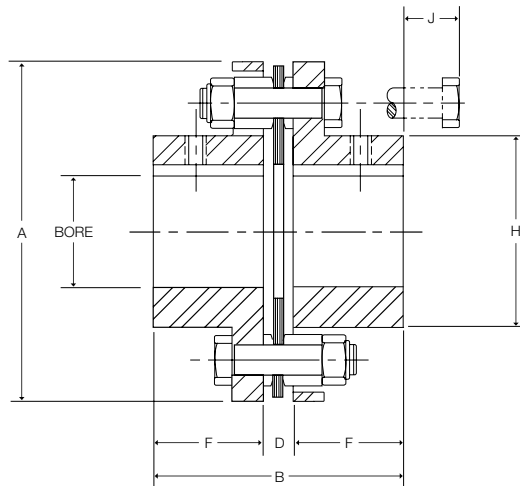


# Single Flex Coupling AR Series - Form-Flex®

## Single Flex Short Spacing



Size	Max Bore				Dimensions (mm)*					
	AJ		AZ		A	B	D DBSE	F	H	J
	(mm)	(in)	(mm)	(in)						
5	22	0.875	30	1.19	67.3	56.9	6.1	25.4	33.0	13.7
10	33	1.250	43	1.63	81.0	57.7	6.9	25.4	45.7	15.0
15	36	1.375	48	1.75	92.7	65.5	8.1	28.7	50.8	22.4
20	46	1.688	58	2.13	103.6	75.7	8.6	33.5	61.0	20.1
25	53	2.000	68	2.56	125.7	93.7	11.4	41.1	71.1	25.4
30	63	2.380	79	2.88	143.0	107.4	11.9	47.8	83.8	29.0
35	80	2.938	101	3.75	168.4	128.3	14.0	57.2	105.4	24.6

\* Dimension shown are for AJ hubs unless otherwise specified.

Size	kW/100 RPM	Rated Torque (Nm)	Peak O/L Torque (Nm)	AGMA 7 Max RPM	Max Radial Load (kg)	Weight (1) (kg)	WR <sup>2</sup> (1) (kg-cm <sup>2</sup> )	Misalignment Capacity	
								Axial (+/-mm)	Angular (Degrees/Disc Pack)
5	0.36	34	68	8,500	15	0.56	2.81	0.381	1°
10	0.95	90	181	7,500	25	0.89	6.88	0.508	
15	1.87	178	356	6,700	57	1.35	13.52	0.533	
20	2.60	249	497	6,200	83	1.85	21.89	0.686	
25	4.50	429	859	5,500	125	3.19	59.70	0.762	
30	8.21	783	1566	5,000	182	4.91	121.4	0.813	
35	13.4	1281	2562	4,400	273	7.82	258.4	1.067	

1) Weight and WR<sup>2</sup> values shown are for AJ hubs at max inch bore.

### STANDARD MATERIALS (CLASS A)

HUBS - CARBON STEEL

SPACER - CARBON STEEL

HARDWARE - ALLOY STEEL

DISC PACKS - STAINLESS STEEL

### ORDERING

AR SERIES COUPLINGS ARE SOLD AS COMPONENTS  
COUPLINGS CONSIST OF:

2 - HUBS - Example (AJ25A x 35 MM)

1 - REPAIR KIT - Example (A25RKA)

### MATERIAL / FINISH OPTIONS

CLASS A - Steel hubs, alloy steel hardware, 300 series stainless steel disc packs

CLASS B - Zinc plated steel hubs and spacer, alloy steel hardware, 300 series stainless steel disc pack

CLASS C - Zinc plated steel hubs, stainless steel hardware, 300 series stainless steel disc packs

CLASS E - 300 series stainless steel hubs, stainless steel hardware, 300 series stainless steel disc packs