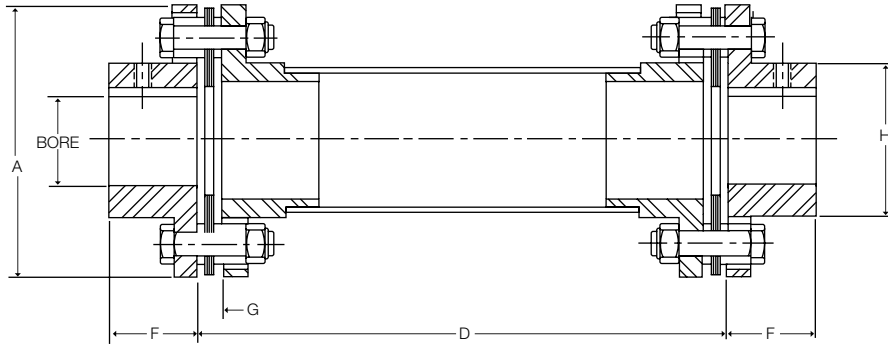


Floating Shaft Spacer Coupling A5 Series - Form-Flex®

Double Flex Floating Shaft



Size	Max Bore				Dimensions (mm)					Max D (mm) for RPM Shown					
	AJ		AZ		A	D Min	F	G	H	1800	1500	1200	900	750	600
	(mm)	(in)	(mm)	(in)											
5	22	0.875	30	1.19	67.3	125.5	25.4	6.1	33.0	1295	1422	1575	1803	1981	2210
10	33	1.250	43	1.63	81.0	127.0	25.4	6.9	45.7	1575	1753	1930	2235	2438	2718
15	36	1.375	48	1.75	92.7	168.4	28.7	8.1	50.8	1626	1803	2007	2311	2515	2819
20	46	1.688	58	2.13	103.6	168.4	33.5	8.6	61.0	1854	2057	2286	2616	2870	3200
25	53	2.000	68	2.56	125.7	251.0	41.1	11.4	71.1	2007	2210	2464	2845	3099	3480
30	63	2.380	79	2.88	143.0	252.5	47.8	11.9	83.8	2159	2388	2591	3048	3353	3734
35	80	2.938	101	3.75	168.4	331.7	57.2	14.0	105.4	2464	2718	3023	3480	3810	4267

Dimensions are shown for standard AJ hubs unless otherwise specified.

Size	kW/100 RPM	Rated Torque (Nm)	Peak O/L Torque (Nm)	Weight (kg) (1)		WR ² (kg-cm ²) (1)		Misalignment Capacity	
				at D min	Add Per cm of D	at D min	Add Per cm of D	Axial (+/-mm)	Angular (Degrees/Disc Pack)
5	0.36	34	68	1.23	0.020	5.65	0.035	0.76	1°
10	0.95	90	181	1.88	0.018	14.13	0.081	1.01	
15	1.87	178	356	2.79	0.018	27.39	0.081	1.06	
20	2.60	249	497	3.95	0.038	44.95	0.253	1.39	
25	4.50	429	859	6.81	0.036	123.1	0.334	1.52	
30	8.21	783	1566	10.35	0.052	248.7	0.645	1.65	
35	13.4	1281	2562	14.55	0.072	499.9	1.521	2.16	

1) Weight and WR² values shown are for AJ hubs at max inch bore and spacer length at D Min

STANDARD MATERIALS (CLASS A)

HUBS - CARBON STEEL

SPACER - CARBON STEEL

HARDWARE - ALLOY STEEL

DISC PACK - STAINLESS STEEL

ORDERING

A5 Series couplings are sold as complete assemblies. Please specify hub types and bore sizes, DBSE (D) dimension, speed for dynamic balancing, and material class. A coupling will be configured to meet your specifications.

MATERIAL / FINISH OPTIONS

CLASS A - Steel hubs and spacer, alloy steel hardware, 300 series stainless steel disc pack

CLASS B - Zinc plated steel hubs, and spacer, alloy steel hardware, 300 series stainless steel disc pack

CLASS C - Zinc plated steel hubs, and spacer, stainless steel hardware, 300 series stainless steel disc pack

CLASS E - 300 series stainless steel hubs and spacer, stainless steel hardware, 300 series stainless steel disc pack

(Only available for sizes 15 thru 35)