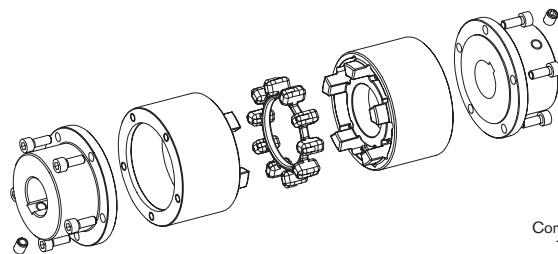
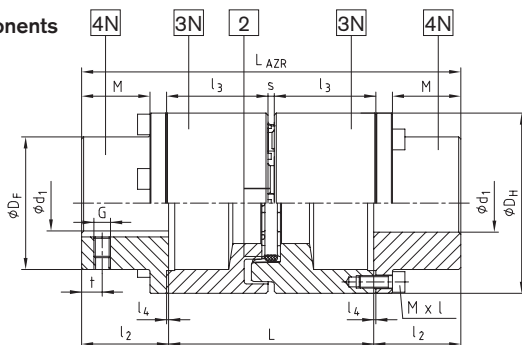


Standard drop-out center design coupling



Components



Components:

Type AZR

2 = Elastomer ring (NBR 78 Sh-A)

3N = Driving flange (GJL)

4.N = Coupling flange (Steel)

POLY-NORM® Type AZR

Size	Drop-out center length* L [mm]	Elastomer ring (part 2) ¹⁾ Torque [Nm]		Max. finish bore ²⁾ Ød ₁	Dimensions [mm]											Mass moment of inertia ³⁾ [kgm ²]	AZR weight ³⁾ [kg]										
					General													Thread for set-screw									
					T _{KN}	T _{Kmax}	L _{AZR}	l ₂	l ₃	s	l ₄	D _H	D _F	M	Mxl			T _A [Nm]	G	t							
28	100	40	80	30	170	35	49,5	3	1	69	46	26	M6x18	14	M5	7	0,0020	2,4									
	140		210		69,5																						0,0030
32	100	60	120	35	170	35	49	4	1	78	53	26	M6x18	14	M8	7	0,0042	3,2									
	140				210		69																				0,0062
38	100	90	180	40	184	42	49	4	1	87	62	33	M6x20	14	M8	10	0,0048	4,3									
	140				224		69																				0,0068
42	100	150	300	45	190	45	49	4	1	96	69	35	M6x20	14	M8	10	0,0094	5,1									
	140				230		69																				0,0128
48	100	220	440	50	204	52	49	5	1,5	106	78	41,5	M6x20	14	M8	15	0,0170	6,6									
	140				244		69																				0,0216
55	100	300	600	60	210	55	49	5	1,5	118	88	43,5	M8x25	35	M8	14	0,0188	9,4									
	140				250		69																			0,0240	10,8
	180				290		89																				0,0232
60	100	410	820	65	220	60	49	5	1,5	129	97	47,5	M8x25	35	M8	15	0,0326	11,2									
	140				260		69																			0,0414	13,0
	180				300		89																				0,0504
65	100	550	1100	70	230	65	49	5	1,5	140	105	51,5	M8x25	35	M10	20	0,0564	14,0									
	140				270		69																			0,0730	15,8
	180				310		89																				0,0894
75	140	850	1700	80	290	75	69	5	1,5	158	123	60,5	M10x30	69	M10	20	0,0824	23,2									
	180				330		89																			0,1008	25,6
	250				400		124																				0,1332
85	140	1350	2700	90	310	85	69	5	1,5	182	139	69,5	M10x30	69	M10	25	0,1570	32,1									
	180				350		89																			0,1658	35,2
	250				420		124																				0,1812
90	140	2000	4000	100	320	90	69	5	1,5	200	148	73,5	M12x35	120	M12	25	0,2466	38,2									
	180				360		89																			0,2880	42,2
	250				430		124																				0,3566
100	140	2900	5800	110	340	100	69	6	2	224	165	83	M12x35	120	M12	25	0,3988	50,0									
	180				380		89																			0,4450	54,8
	250				450		124																				0,5465

¹⁾ Standard material Perbunan [NBR] 78 Shore-A, selection see page 10 et seqq.

²⁾ Bores H7 with keyway to DIN 6885 sheet 1 [JS9] and thread for setscrews on the feather keyway

³⁾ Referring to average bore

**For other extendable lengths (L=120/160/195/215) it is possible to combine two driving flanges 3N with various lengths. (As an example: driving flanges POLY-NORM® 85 for extendable length 140 and 250 result in an extendable length of 195 mm (140 mm + 250 mm = 390 mm 390 mm/2 = 195 mm)

Ordering example:

POLY-NORM® 42	AZR	140	Ø38	Ø42
Coupling size	Type	Drop-out center length L	Finish bore	Finish bore