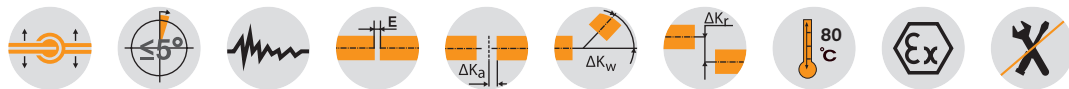
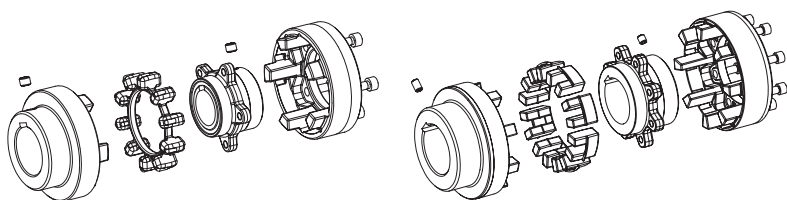
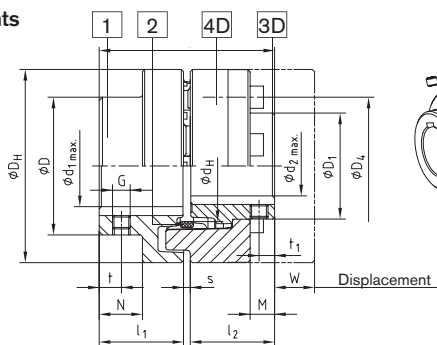


# Three-part



## Components



Size 38-125

Size 140-280

Components:

Type ADR (Three-part)

1 = Standard hub\* (GJL)

2 = Elastomer ring (up to size 180 NBR 78 Sh-A; from size 200: T-PUR® 84 Sh-A)

3D = Flange hub (up to size 180: GJS; from size 200: steel) 4D = cam ring (GJL)

To be preferably used on driving side

## POLY-NORM® Type ADR

| Size | Torque of elastomer ring [Nm] <sup>1)</sup> |        | Dimensions [mm]                |        |         |                                 |    |                |     |                |                |       |      |    |                     |    |                |         |
|------|---|--------|--------------------------------|--------|---------|---------------------------------|----|----------------|-----|----------------|----------------|-------|------|----|---------------------|----|----------------|---------|
|      |   |        | Max. finish bore <sup>2)</sup> |        | General |                                 |    |                |     |                |                |       |      |    | Thread for setscrew |    |                |         |
|      | TKN   | TKmax  | d1                             | d2     | LADR    | l <sub>1</sub> ; l <sub>2</sub> | s  | D <sub>H</sub> | D   | D <sub>1</sub> | d <sub>H</sub> | N     | M    | W  | G                   | t  | t <sub>1</sub> | TA [Nm] |
| 38   | 90  | 180    | 40                             | 34     | 80      | 38                              | 4  | 87             | 62  | 48             | 50             | 19,5  | 11,0 | 12 | M8                  | 10 | 7              | 10      |
| 42   | 150   | 300    | 45                             | 38     | 88      | 42                              | 4  | 96             | 69  | 54             | 55,5           | 20    | 12,0 | 16 | M8                  | 10 | 7              | 10      |
| 48   | 220   | 440    | 50                             | 44     | 101     | 48                              | 5  | 106            | 78  | 62             | 64             | 24    | 13,7 | 16 | M8                  | 15 | 7              | 10      |
| 55   | 300   | 600    | 60                             | 50     | 115     | 55                              | 5  | 118            | 90  | 72             | 73             | 29    | 18,7 | 15 | M8                  | 14 | 14             | 10      |
| 60   | 410   | 820    | 65                             | 56     | 125     | 60                              | 5  | 129            | 97  | 80             | 81             | 33    | 22,2 | 14 | M8                  | 15 | 15             | 10      |
| 65   | 550   | 1100   | 70                             | 60     | 135     | 65                              | 5  | 140            | 105 | 86             | 86             | 36    | 26,7 | 11 | M10                 | 20 | 20             | 17      |
| 75   | 850   | 1700   | 80                             | 68     | 155     | 75                              | 5  | 158            | 123 | 98             | 100            | 42,5  | 27,8 | 16 | M10                 | 20 | 20             | 17      |
| 85   | 1350  | 2700   | 90                             | 78     | 175     | 85                              | 5  | 182            | 139 | 112            | 116            | 48,5  | 33,7 | 18 | M10                 | 25 | 25             | 17      |
| 90   | 2000  | 4000   | 95                             | 85     | 185     | 90                              | 5  | 200            | 148 | 122            | 128            | 49    | 31,5 | 26 | M12                 | 25 | 25             | 40      |
| 100  | 2900  | 5800   | 110                            | 95     | 206     | 100                             | 6  | 224            | 165 | 136            | 143            | 55    | 37,5 | 28 | M12                 | 25 | 25             | 40      |
| 110  | 3900  | 7800   | 50-120                         | 105    | 226     | 110                             | 6  | 250            | 185 | 150            | 158            | 60    | 39,5 | 30 | M16                 | 30 | 30             | 80      |
| 125  | 5500  | 11000  | 55-140                         | 115    | 256     | 125                             | 6  | 280            | 210 | 168            | 178            | 70    | 48,0 | 35 | M16                 | 35 | 35             | 80      |
| 140  | 7200  | 14400  | 65-155                         | 55-135 | 286     | 140                             | 6  | 315            | 235 | 195            | 216            | 76,5  | 47,0 | 59 | M20                 | 35 | 35             | 140     |
| 160  | 10000                                       | 20000  | 75-175                         | 65-155 | 326     | 160                             | 6  | 350            | 265 | 225            | 246            | 94,5  | 65,0 | 43 | M20                 | 45 | 45             | 140     |
| 180  | 13400                                       | 26800  | 75-200                         | 65-175 | 366     | 180                             | 6  | 400            | 300 | 255            | 290            | 111,5 | 79,0 | 33 | M20                 | 50 | 50             | 140     |
| 200  | 19000                                       | 38000  | 85-200                         | 200    | 408     | 200                             | 8  | 450            | 335 | 290            | -              | 126   | 95   | 7  | M24                 | 50 | 50             | 240     |
| 220  | 30000                                       | 60000  | 95-220                         | 220    | 448     | 220                             | 8  | 500            | 370 | 320            | -              | 140   | 103  | 8  | M24                 | 50 | 50             | 240     |
| 240  | 43000                                       | 86000  | 105-240                        | 240    | 488     | 240                             | 8  | 550            | 405 | 350            | -              | 154   | 119  | 1  | M24                 | 50 | 50             | 240     |
| 260  | 55000                                       | 110000 | 115-260                        | 260    | 530     | 260                             | 10 | 650            | 440 | 380            | -              | 158   | 109  | 34 | M24                 | 60 | 60             | 240     |
| 280  | 67000                                       | 134000 | 125-280                        | 280    | 570     | 280                             | 10 | 700            | 475 | 410            | -              | 172   | 109  | 29 | M24                 | 60 | 60             | 240     |

## Classification of cylinder screws DIN EN ISO 4762-12.9

| Size | M x l [mm] | Number z | Pitch z x angle | D <sub>4</sub> [mm] | T <sub>A</sub> [Nm] <sup>3)</sup> | Size | M x l [mm] | Number z | Pitch z x angle | D <sub>4</sub> [mm] | T <sub>A</sub> [Nm] <sup>3)</sup> |
|------|------------|----------|-----------------|---------------------|-----------------------------------|------|------------|----------|-----------------|---------------------|-----------------------------------|
| 38   | M6x16      | 5        | 5x72            | 62                  | 10                                | 110  | M16x40     | 8        | 8x45            | 183                 | 210                               |
| 42   | M8x16      | 5        | 5x72            | 69                  | 25                                | 125  | M20x40     | 8        | 8x45            | 202                 | 410                               |
| 48   | M8x20      | 6        | 6x60            | 78                  | 25                                | 140  | M20x50     | 8        | 8x45            | 237                 | 410                               |
| 55   | M8x20      | 6        | 6x60            | 88                  | 25                                | 160  | M20x55     | 9        | 9x40            | 267                 | 410                               |
| 60   | M8x20      | 6        | 6x60            | 98                  | 25                                | 180  | M20x60     | 10       | 10x36           | 304                 | 410                               |
| 65   | M10x20     | 6        | 6x60            | 104                 | 49                                | 200  | M20x60     | 10       | 10x36           | 342                 | 580                               |
| 75   | M10x25     | 6        | 6x60            | 120                 | 49                                | 220  | M24x70     | 10       | 10x36           | 378                 | 1000                              |
| 85   | M12x25     | 6        | 6x60            | 138                 | 86                                | 240  | M27x70     | 10       | 10x36           | 416                 | 1500                              |
| 90   | M16x30     | 6        | 6x60            | 149                 | 210                               | 260  | M30x90     | 10       | 10x36           | 480                 | 2000                              |
| 100  | M16x30     | 6        | 6x60            | 163                 | 210                               | 280  | M30x90     | 10       | 10x36           | 520                 | 2000                              |

<sup>1)</sup> Standard material Perbunan (NBR) 78 Shore-A, size 140-280 double tooth elements. For selection see page 10 et seqq.

<sup>2)</sup> Bore H7 with feather keyway DIN 6885 sheet 1 [JS9] with thread for setscrews <sup>3)</sup> Screw tightening torques acc. to 8.8

Ordering example:

|               |      |                     |                     |
|---------------|------|---------------------|---------------------|
| POLY-NORM® 65 | ADR  | d <sub>1</sub> =Ø55 | d <sub>2</sub> =Ø60 |
| Coupling size | Type | Finish bore         | Finish bore         |