

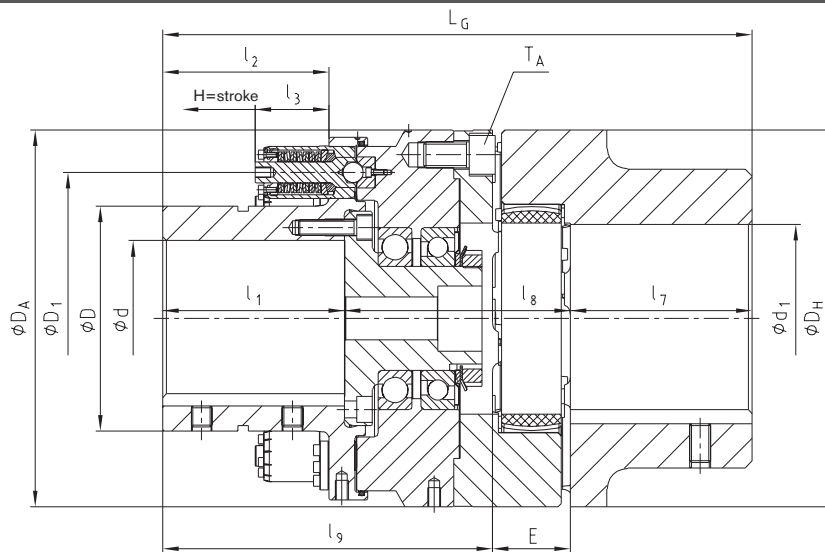
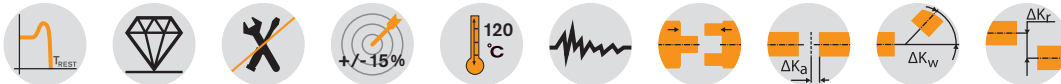
KTR-SI FRE

Idle rotating overload system

With torsionally flexible ROTEX®



For legend of pictogram please refer to flapper on the cover



Torques [Nm]							
Size	Type of element	3 idle rotation elements		6 idle rotation elements		9 idle rotation elements	
		min.	max.	min.	max.	min.	max.
9	1T2	1000	4000	2000	8000	-	-
	1T3	2400	5500	4800	11000	-	-
12	1T2	1300	5000	2600	10000	3900	15000
	1T3	2900	6700	5800	13400	8700	20100
15	1T2	1700	6000	3400	12000	5100	18000
	1T3	3500	8200	7000	16400	10500	24600
20	2T2	5000	15000	10000	30000	15000	45000
	2T3	13100	20000	26300	40000	39400	60000

Technical data – Dimensions																							
Size ¹⁾	ROTEX®			Max. bore		Dimensions [mm]															T _A [Nm]	Speed ²⁾ [RPM]	Weight with max. bore [kg]
	Size	Torque [Nm] 64 Sh-D ³⁾		d	d ₁	D	D ₁	D _H	D _A	l ₁	l ₂	l ₃	l ₇	l ₈	l ₉	E	L _G	H=stroke					
		T _{KN}	T _{Kmax}																				
9	90	4500	9000	90	110	135	185	200	260	120	110	56,7	100	133	217	45	362	5,2	117	3300	59		
12	125	12500	25000	120	145	173	225	290	290	146	130	56,7	140	165	254	60	454	5,2	560	2300	106		
15	140	16000	32000	150	160	215	270	320	324	170	160	56,7	155	176	292	65	512	5,2	560	2050	147		
20	180	35000	70000	200	200	285	370	420	460	220	200	88,4	195	227	381	85	661	8,9	970	1550	349		

¹⁾ Other sizes available on request
²⁾ Higher speeds available on request, see comments on page 230
³⁾ See selection of ROTEX coupling on page 10 et seqq.

Ordering example:	KTR-SI FRE 12	1T3	9	d Ø85	ROTEX® 125	98 Sh-A	d ₁ Ø85	12000 Nm
	Type/size	Type of element	No. of idle rotation elements	KTR-SI FRE bore	Typ/Größe	Zahnkranz	ROTEX® bore	Torque set