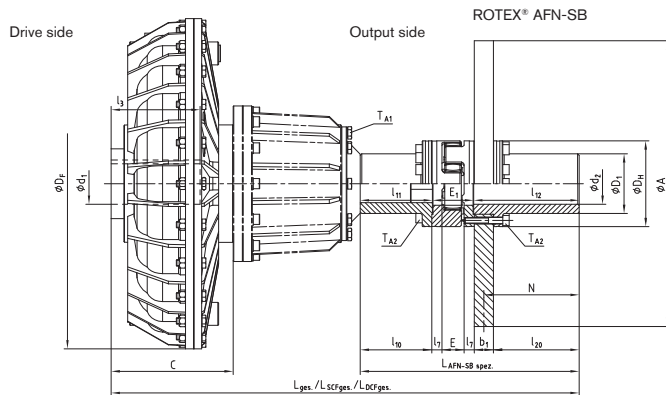
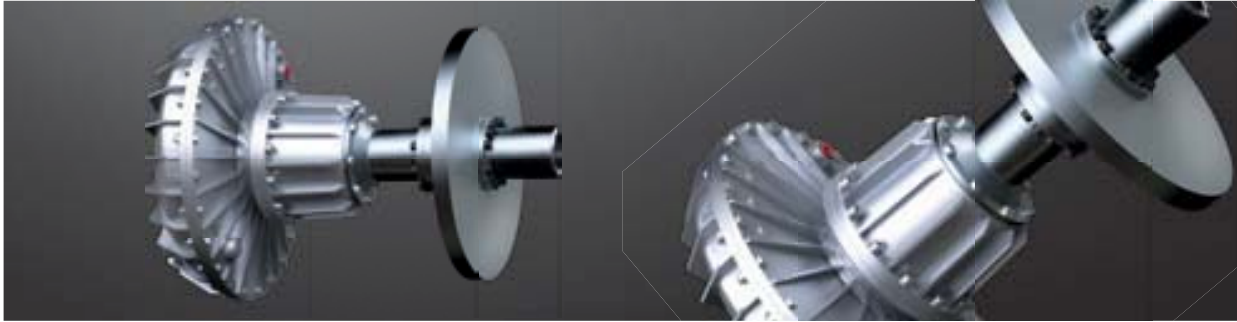


# Fluid couplings ALFA

with ROTEX® AFN-SB special (inner wheel drive) for service brakes



— • • • — optionally: with small or large delay chamber (SCF / DCF)

Dimensions of adapter shaft S [mm]			
Size	d <sub>S</sub>	L <sub>S</sub>	T
10	19	35	25
20	24	44	32
30/30P	38	63	45
40P	48	76	55
50/55	55	92	65
60/65	60	110	80
70P/75P	70	122	90
80P/85P	80	145	110

**Selection criteria:**  
IEC standard motor: 4 poles 1500 rpm (50 Hz)  
Shock factor: 1.5 (moderate shocks)  
Ambient temperature: - 20 to + 40 °C  
Start-up frequency: < 10/h

Fluid coupling ALFA K-S-[SCF/DCF]-AFN-SB special																					
Size		Dimensions [mm]														T [Nm]					
K	ROTEX®	d <sub>1</sub>	d <sub>2 max</sub>	D <sub>F</sub>	D <sub>1</sub>	D <sub>H</sub>	l <sub>7</sub>	l <sub>10</sub>	l <sub>11</sub>	l <sub>12</sub>	l <sub>20</sub>	l <sub>3</sub>	E	E <sub>1</sub>	L <sub>AFN-SB spez.</sub>	C	L			T <sub>A1</sub>	T <sub>A2</sub>
																	t.	SCF <sub>L</sub>	DCF <sub>L</sub>		
60	65	48	65	520	94	135	16	112,5	113,5	166	135	110	35	65	344,5	192	566,5	656,5	736,5	50,5	83
		110																			
		140																			
		140																			
		140																			
65	75	55	75	520	108	160	19	131,5	133,0	166,5	135	110	40	75	374,5	240	644,5	734,5	814,5	50,5	120
		110																			
		140																			
		140																			
		170																			
70P	90	60	100	640	142	200	20	164,0	165,5	206,5	175	140	45	82	454,0	240	726,0	836,0	951,0	212,0	295
		140																			
		170																			
75P	90	75	100	640	142	200	20	164,0	165,5	206,5	175	140	45	82	454,0	265	751,0	861,0	976,0	212,0	295
		170																			
80P	110	110	125	810	158	255	26	201,5	203,5	212	180	210	55	103	518,5	270	823,5	941,5	1041,5	291,0	580

ROTEX® AFN-SB special										
ROTEX® Size	Torque [Nm] (98 Sh-A T-PUR)		N	Brake disk ØA x b1						
	T <sub>KN</sub>	T <sub>Kmax</sub>		355 x 30	400 x 30	450 x 30	500 x 30	560 x 30	630 x 30	710 x 30
65	940	1880	150	X	X	X				
75	1920	3840	150		X	X	X			
90	3600	7200	190			X	X	X	X	
110	7200	14400	195				X	X	X	X

### Product details

In combination with ROTEX AFN-SB special ALFA K-S is suitable for the use with service brakes. If an outer wheel drive is requested, a combination with ALFA K-MS is also available. Please consult with KTR/Engineered Business, if necessary. With the selection of the coupling make sure that the maximum braking torque does not exceed the maximum torque of the coupling.

Ordering example	ALFA	60	K	S	SCF	AFN-SB spez.	Ø55	Ø65	145 °C	—
	Type	Coupling size	Design	Adapter-shaft	Optionally: e. g. small delay chamber		Attachment coupling: ROTEX®	Bore d1	Bore d2	FP