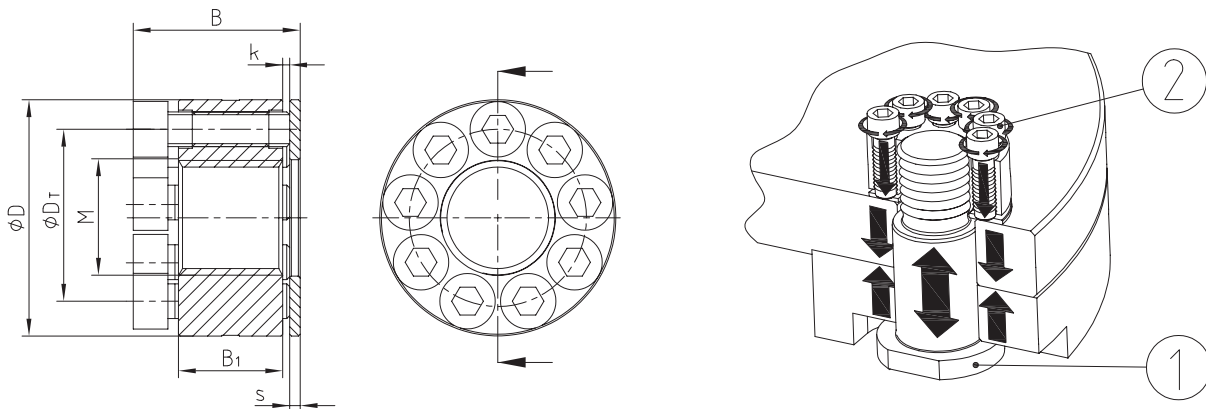
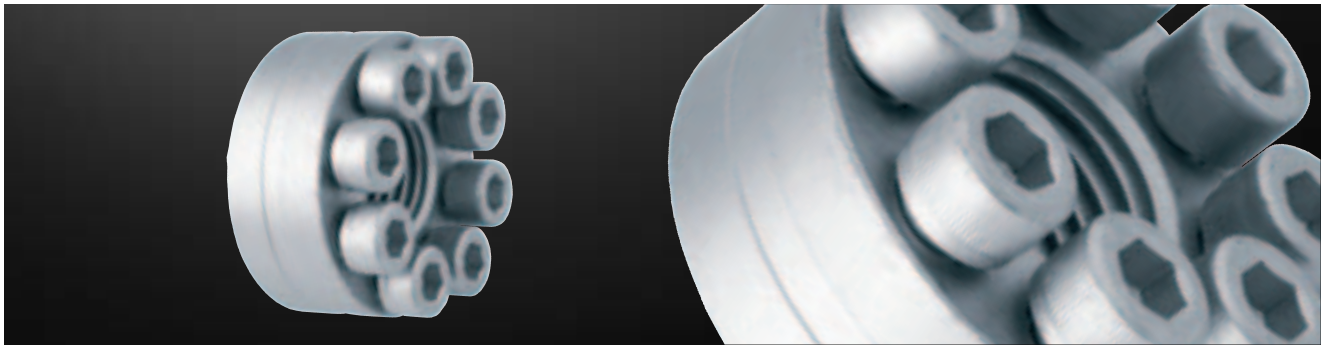


KTR Clamping nuts

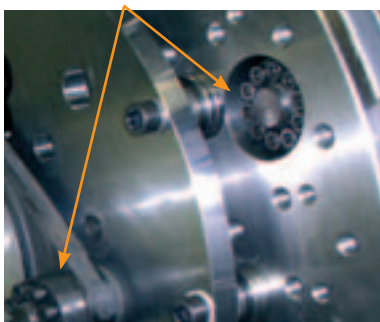
Large screw connections for easy and quick assembly



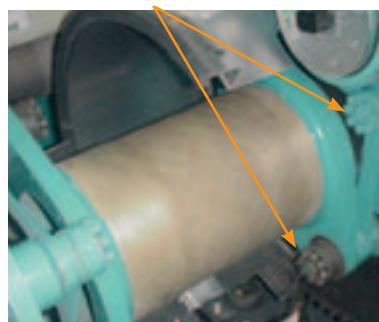
KTR clamping nuts													
Size	Dimensions [mm]						Thrust bolt item 2		Property class 8.8 screw pos. 1		Property class 10.9 screw pos. 1		
	D	D _T	B	B ₁	s	k	DIN EN ISO 4762	No. z	Tightening torque * [Nm]	Prestress [N]	Tightening torque * [Nm]	Prestress [N]	
M24 x 3,0	52	39	36,0	20	3,0	1 - 2	M8	8	21	174000	30	249000	
M27 x 3,0	57	42	41,0	25	3,0	1 - 2	M8	9	24	224000	30	280000	
M30 x 3,5	65	48	43,0	25	3,0	1 - 2	M10	8	41	274000	60	401000	
M33 x 3,5	68	51	48,0	30	3,0	1 - 2	M10	9	45	338000	60	451000	
M36 x 4,0	80	58	50,0	30	3,0	1 - 2	M12	8	71	396000	105	586000	
M42 x 4,5	86	64	55,0	35	3,0	1 - 2	M12	10	78	544000	105	732000	
M48 x 5,0	90	72	60,0	40	3,0	1 - 2	M12	11	94	721000	105	806000	
M52 x 5,0	100	79	66,5	42	4,5	1 - 2	M12	13	95	862000	105	952000	
M56 x 5,5	108	83	75,5	45	4,5	1 - 2	M16	9	210	1001000	250	1192000	
M60 x 5,5	112	86	80,5	48	4,5	1 - 2	M16	10	215	1139000	250	1325000	
M64 x 6,0	120	92	84,0	52	8,0	1 - 2	M16	11	225	1311000	250	1457000	
M72 x 6,0	142	107	98,0	58	8,0	1 - 2	M20	10	400	1696000	490	2077000	
M80 x 6,0	164	122	103,0	64	8,0	1 - 2	M20	12	420	2137000	490	2493000	

* each screw item 2

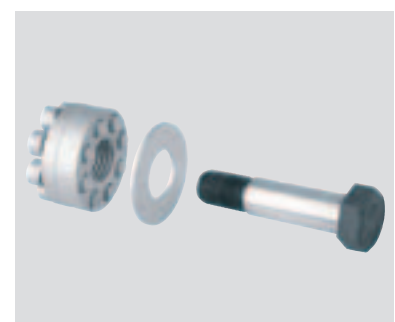
Used on a 100 kNm test bench bottle



Used on couplings for wind power stations



Available as a complete unit including setscrew



Ordering example:

KTR clamping nut	M33 x 3,5
Spider type	Size