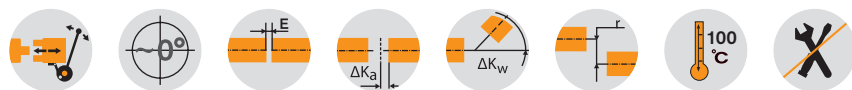
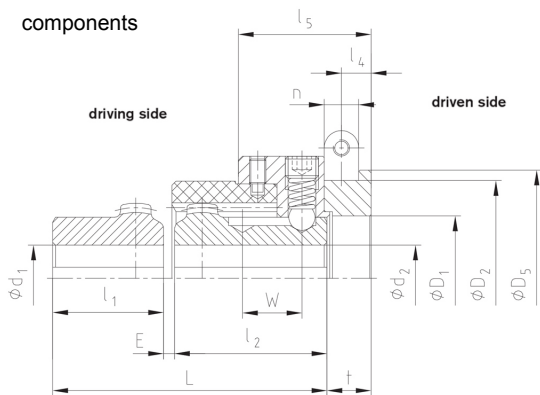


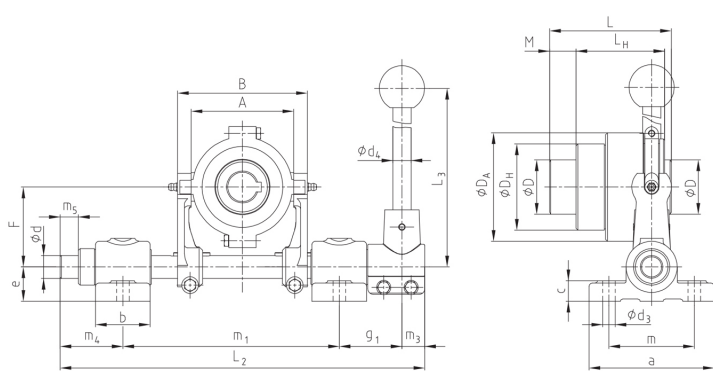
Shiftable coupling with shiftable linkage (at standstill)



components



disengaged



engaged

BoWex® type SD1 and slip ring

Size	Finish bore			Dimensions [mm]																	Shifting force [N]
	d ₁	d ₁ max.	d ₂ max.	E	l ₁	l ₂	L	L _G	l ₄	l ₅	M	W	t	D	D _H	D _A	D ₁	D ₂ ±0,1 (keyway)	D ₅	n±0,1 (keyway)	
24 SD1	24	24	4	26	50	80	67	11	46	10	19	16	36	58	78	45	70,5	78	12,5	140	
28 SD1	28	28	4	40	55	99	72	11	48	21,5	21,5	16	44	70	88	45	70,5	78	12,5	180	
32 SD1	32	32	4	40	55	99	78	13,5	53	20,5	21,5	21	50	84	100	60	89,5	100	17,5	180	
45 SD1	45	48	4	42	60	106	84	14	58	21,5	29,5	22,5	22	65	100	125	70	112,5	125	18	250
65 SD1	65	65	4	55	70	129	103	16	61	26	25	25	96	140	156	96	130,5	145	20,5	350	
80 SD1	80	80	6	90	90	186	124	18,5	75	56	35	29	124	175	195	125	164,5	182	25,5	350	
100 SD1	100	100	8	110	110	228	152	28	94	72	43	39	152	210	235	174	210,5	230	30,5	400	
125 SD1	125	125	10	140	140	290	193	30,5	114	89	52	44	192	270	298	214	250,5	275	35,5	450	

BoWex® type SD1 - shiftable linkage

Size	Shiftable linkage size	Slip ring size	Dimensions [mm]															Dimensions with m ₁ max.			
			a	b	c	d	d ₃	d ₄	e	F	g ₁	L ₂	L ₃	m	m ₁ min.	m ₁ max.	A	B	m ₃	m ₄	m ₅
24 SD1	1	1.1	110	50	18	20	11	16	30	70	55	320	400	75	180	190	90	114		55	16
28 SD1	1	1.1				25				97,5	60	430	450		240	270	111	151	20	80	34
32 SD1	2	2.2				30				120		490	600	100	280	310	140	180		90	44
45 SD1	3	3.3	140			35		20	40		70	565	750		321	365	170	210		100	54
65 SD1	3	4.4		60	25	35			50	147,5					321	365	200	244		100	54
80 SD1	4	5.5				40			30			565	750		321	365	200	244		100	54
100 SD1	5	6.6	160			40			30	50 ¹⁾	190	80	630	1085	120	365	250	300	30	110	62
125 SD1	5	7.7				40			30						-	410	300	350		110	62

¹⁾ = With a continuous base plate the dimension „e“ has to be increased by at least 10 mm. The brackets of driving and driven side have to be adapted accordingly. Also available as type SD-D. Other sizes on request.

Performance data / torques see type M (on page 84), max. circumferential speed v=20 m/s, referring to ø D_A

Ordering example:

BoWex® 65 SD1	d ₁ Ø32	d ₂ Ø32	4.4	3
Coupling size and type	Finish bore H7 keyway to DIN 6885 sheet 1 (JS9)		Size of slip ring	Size of shiftable linkage