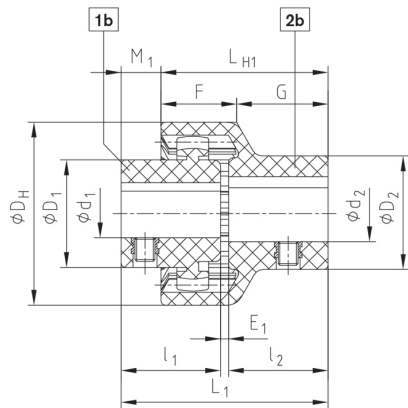


Made of corrosion-resistant materials

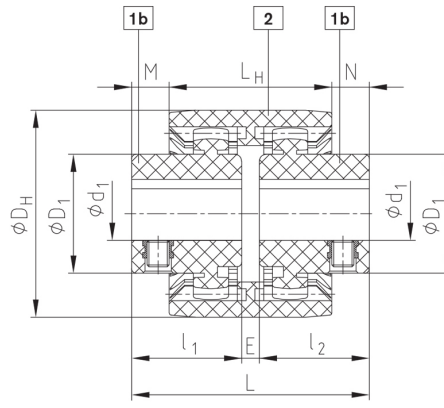


components

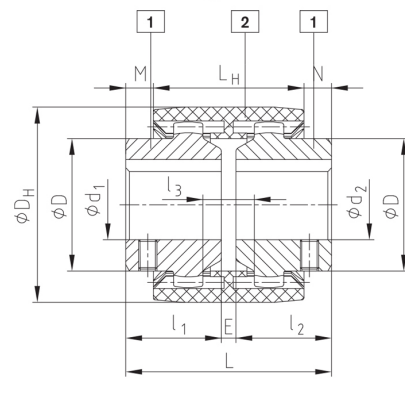
Type junior plug-in coupling (two-part)



Type junior M coupling (three-part)



Type M V4A



BoWex® junior plug-in coupling (two-part) and BoWex® junior M (three-part)

Size	Finish bore				Dimensions [mm]										
	Hub part 1b		Plug-in sleeve part 2b		D _H	l ₁ , l ₂	E ₁	E	L _{H1}	L _H	L ₁	L	M ₁	M, N	
	d ₁	D ₁	d ₂	D ₂											
14	Ø6, Ø7, Ø8, Ø9	22	Ø8	22	40	23	2	4	40	37	48	50	8	6,5	
M-14	Ø10, Ø11	25	Ø10, Ø11	25											
	Ø12, Ø14	26	Ø12, Ø14	26											
19	Ø12, Ø14	27	Ø14, Ø15	29	48	25	2	4	42	37	52	54	10	8,5	
M-19	Ø16	30	Ø19	35											
	Ø19	32	Ø19	35											
24	Ø10, Ø11, Ø12	26	Ø14, Ø16	32	53	26	2	4	45	41	54	56	9	7,5	
M-24	Ø14, Ø15, Ø16	32	Ø19, Ø20	36											
	Ø18, Ø19, Ø20	36	Ø19, Ø20	36											
	Ø24	38	Ø24	40											

BoWex® type M

Size	Finish bore d ₁ max., d ₂ max.	Dimensions [mm]								
		D _H	D	l ₁ , l ₂	E	L _H	L	M, N		
M-24	24	53	36	26	4	41	56	7,5		
M-38	38	83	58	40	4	48	84	18		
M-48	48	95	68	50	4	50	104	27		

Other coupling sizes: M24C, M38C, M48C on request. Setscrews with BoWex Junior coupling are made of V4A as a standard.

Applications:

Food industry, print and paper industry, textile industry, sewage technology, wash-mobiles, chemical and pharmaceutical industry, offshore units, etc. For use in aggressive environment (air, water, chemicals, etc.).

Ordering example:

BoWex® M-24 V4A	d ₁ Ø20	d ₂ Ø24
Size and type of coupling	Finish bore H7 keyway to DIN 6885 sheet 1 (JS9)	Finish bore H7 keyway to DIN 6885 sheet 1 (JS9)