

# UCT/C - HCT/C



## Waterproof housing

### Grub screws or eccentric collar shaft locking

#### PA FV polyamide housing

High mechanical and heat resistance. Proof to dust, humidity, washouts, steam, average aggressive chemical agents.

#### PP FV polypropylene housing

Proof to highly aggressive chemical agents. Inferior loading ability.

## Material

### PA FV polyamide housing

- Housing in reinforced polyamide PA FV resin (black)
- Protection cover in polypropylene PP (orange)
- Seal and O-Ring in NBR rubber (black)
- Ball type nickel plated brass greasing nipple
- Threaded insert in nickel plated brass.

### PP FV polypropylene housing

- Housing in reinforced polypropylene PP FV resin (white)
- Protection cover in polypropylene PP (orange)
- Seal and O-Ring in NBR rubber (black).  
On request supplied in Viton rubber (brown).  
Viton material offers high resistance to chemical agents
- Ball type stainless steel AISI 316 greasing nipple
- Threaded insert in nickel plated brass.

## Continuous operating temperature

in air: - 20 to + 60°C.

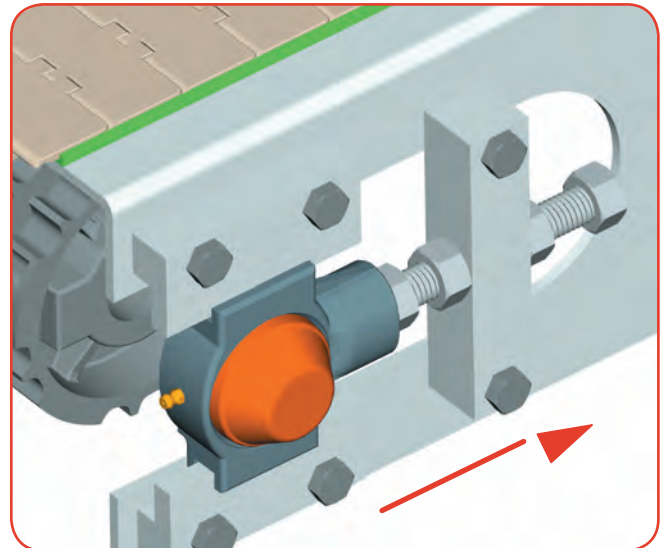
## Maximum allowed misalignment: 2°.

## Bearing



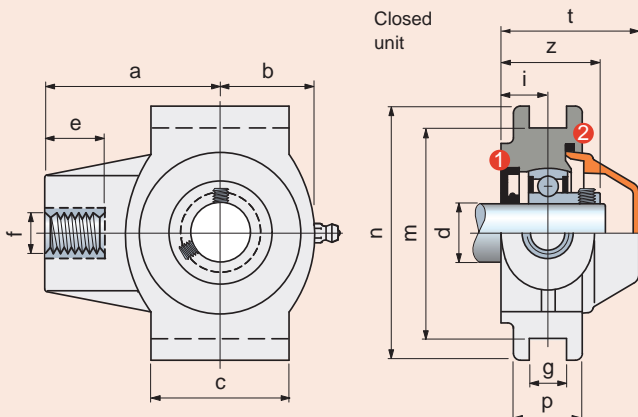
- Type A (grub screws shaft locking)
- Type A (eccentric collar shaft locking)
- Chrome alloy steel
- Superagriseal unit
- Prelubricated with lithium / calcium grease
- Can be relubricated.

## Assembly

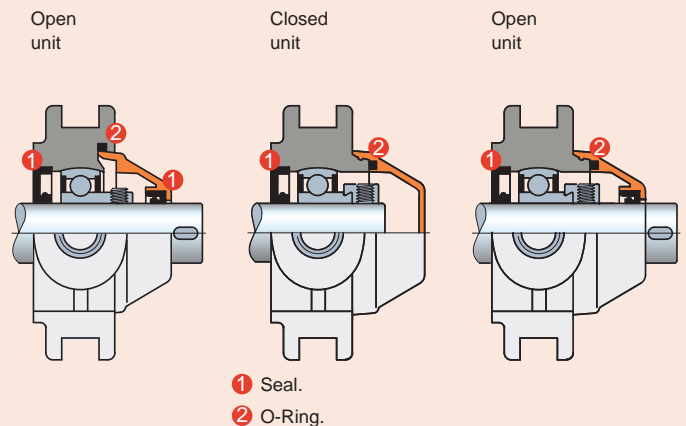


Working load allowed only in this direction.

### • Series UCT/C • Type A Grub screws shaft locking



### • Series HCT/C • Type D Eccentric collar shaft locking



- 1 Seal.
- 2 O-Ring.

dia. d mm	Series	Housing material		Dimensions in mm													Bearing	Weight Kg	Spare parts Cover orange
		Polyamide PA FV Flange (black) Cover (orange)	Polypropylene PP FV Flange (white) Cover (orange)	a	b	c	e	f	g	i	m	n	p	z	t	Code			
<b>Grub screws shaft locking • Closed unit</b>																			
20	UCT 204 C	666952	677592	63,5	34	50	28	M16	13,5	17	76,2	92	25	35	50	Type A	0,33	681862	
25	UCT 205 C	666962	677602	68,5	39,5	50	28	M20	13,5	17	76,2	92	25	36,5	52	Type A	0,39	681872	
30	UCT 206 C	666972	677612	77	48	57	28	M24	13,5	18,5	89	104	28	40,5	55	Type A	0,50	667812	
<b>Grub screws shaft locking • Open unit</b>																			
20	UCT 204 C	666982	677622	63,5	34	50	28	M16	13,5	17	76,2	92	25	35	50	Type A	0,33	681882	
25	UCT 205 C	666992	677632	68,5	39,5	50	28	M20	13,5	17	76,2	92	25	36,5	52	Type A	0,39	681892	
30	UCT 206 C	667002	677642	77	48	57	28	M24	13,5	18,5	89	104	28	40,5	55	Type A	0,50	667932	
<b>Eccentric collar shaft locking • Closed unit</b>																			
20	HCT 204 C	667012	677652	63,5	34	50	28	M16	13,5	17	76,2	92	25	40,4	57	Type D	0,36	681942	
25	HCT 205 C	667022	677662	68,5	39,5	50	28	M20	13,5	17	76,2	92	25	40,4	58	Type D	0,42	681952	
30	HCT 206 C	667032	677672	77	48	57	28	M24	13,5	18,5	89	104	28	45,2	62	Type D	0,53	63154	
<b>Eccentric collar shaft locking • Open unit</b>																			
20	HCT 204 C	667042	677682	63,5	34	50	28	M16	13,5	17	76,2	92	25	40,4	57	Type D	0,36	681962	
25	HCT 205 C	667052	677692	68,5	39,5	50	28	M20	13,5	17	76,2	92	25	40,4	58	Type D	0,42	681972	
30	HCT 206 C	667062	677702	77	48	57	28	M24	13,5	18,5	89	104	28	45,2	62	Type D	0,53	69965	

Item code for order = B0000 + Code

Packaging: 6 pieces.