

UCPA/C - HCPA/C

Waterproof housing

Grub screws or eccentric collar shaft locking

PA FV polyamide housing

High mechanical and heat resistance. Proof to dust, humidity, washouts, steam, average aggressive chemical agents.

PP FV polypropylene housing

Proof to highly aggressive chemical agents. Inferior loading ability.



Material

PA FV polyamide housing

- Housing in reinforced polyamide PA FV resin (black)
- Protection cover in polypropylene PP (orange)
- Seal and O-Ring in NBR rubber (black)
- Ball type nickel plated brass greasing nipple
- Nickel plated brass threaded bushings.

PP FV polypropylene housing

- Housing in reinforced polypropylene PP FV resin (white)
- Protection cover in polypropylene PP (orange)
- Seal and O-Ring in NBR rubber (black).
On request supplied in Viton rubber (brown).
Viton material offers high resistance to chemical agents
- Ball type stainless steel AISI 316 greasing nipple
- Nickel plated brass threaded bushings.

Continuous operating temperature

in air: - 20 to + 60°C.

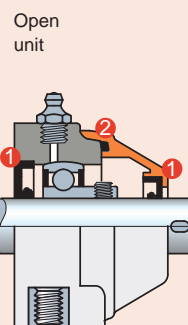
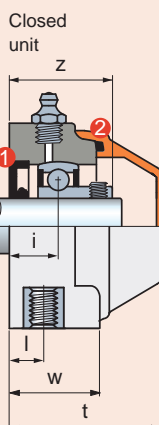
Maximum allowed misalignment: 2°.

Bearing

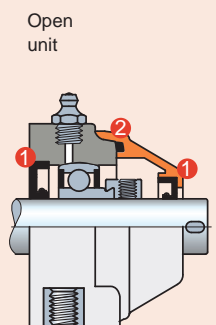
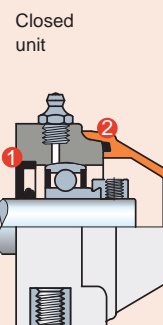


- Type A (grub screws shaft locking)
- Type A (eccentric collar shaft locking)
- Chrome alloy steel
- Superagriseal unit
- Prelubricated with lithium / calcium grease
- Can be relubricated.

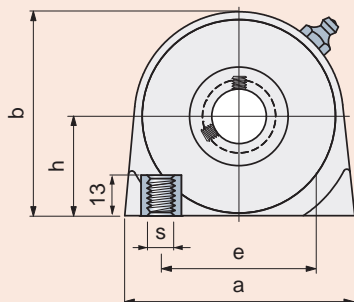
• Series UCPA/C • Type A Grub screws shaft locking



• Series HCPA/C • Type D Eccentric collar shaft locking



- ① Seal.
- ② O-Ring.



dia. d mm	Series	Housing material		Dimensions in mm											Bearing	Weight Kg	Spare parts
		Polyamide PA FV Flange (black) Cover (orange)	Polypropylene PP FV Flange (white) Cover (orange)														Cover orange
		Code		e	a	h	b	s	w	i	l	z	t	Code			
Grub screws shaft locking • Closed unit																	
17	UCPA 203 C	696182	696542	47	70	30,2	62	M8	28	15,2	10	31,2	49	Type A	0,22	681942	
20	UCPA 204 C	696192	696552	50,8	70	33,2	65	M8	28	15,2	10	33,2	49	Type A	0,25	681942	
25	UCPA 205 C	696202	696562	50,8	75	36,5	72	M10	30	16,8	12	36,3	52	Type A	0,29	681952	
Grub screws shaft locking • Open unit																	
17	UCPA 203 C	696212	696572	47	70	30,2	62	M8	28	15,2	10	31,2	49	Type A	0,22	696162	
20	UCPA 204 C	696222	696582	50,8	70	33,2	65	M8	28	15,2	10	33,2	49	Type A	0,25	681962	
25	UCPA 205 C	696232	696592	50,8	75	36,5	72	M10	30	16,8	12	36,3	52	Type A	0,29	681972	
Eccentric collar shaft locking • Closed unit																	
17	HCPA 203 C	696242	696602	47	70	30,2	62	M8	28	15,2	10	37,3	49	Type D	0,24	681942	
20	HCPA 204 C	696252	696612	50,8	70	33,2	65	M8	28	15,2	10	38,6	49	Type D	0,27	681942	
25	HCPA 205 C	696262	696622	50,8	75	36,5	72	M10	30	16,8	12	40,2	52	Type D	0,34	681952	
Eccentric collar shaft locking • Open unit																	
17	HCPA 203 C	696272	696632	47	70	30,2	62	M8	28	15,2	10	37,3	49	Type D	0,24	696162	
20	HCPA 204 C	696282	696642	50,8	70	33,2	65	M8	28	15,2	10	38,6	49	Type D	0,27	681962	
25	HCPA 205 C	696292	696652	50,8	75	36,5	72	M10	30	16,8	12	40,2	52	Type D	0,34	681972	

Item code for order = B0000 + Code

Packaging: 6 pieces.