

# UCFX/T - SUCFX/T - HCFX/T - SHCFX/T



## Material

### PA FV polyamide housing

- Housing in reinforced polyamide PA FV resin (black)
- Protection cover in polypropylene PP (orange)
- Seal and O-Ring in NBR rubber (black)
- Ball type nickel plated brass greasing nipple
- Reinforcing bushings on mounting holes and washers in stainless steel AISI 304.

## Continuous operating temperature

in air: - 20 to + 60°C.

## Maximum allowed misalignment: 2°.

## Bearing



- Type A (grub screws shaft locking)
- Type D (eccentric collar shaft locking)
- Chrome alloy steel
- Superagriseal unit
- Prelubricated with lithium / calcium grease
- Can be relubricated.

## Waterproof housing

### Grub screws or eccentric collar shaft locking

### PA FV polyamide housing

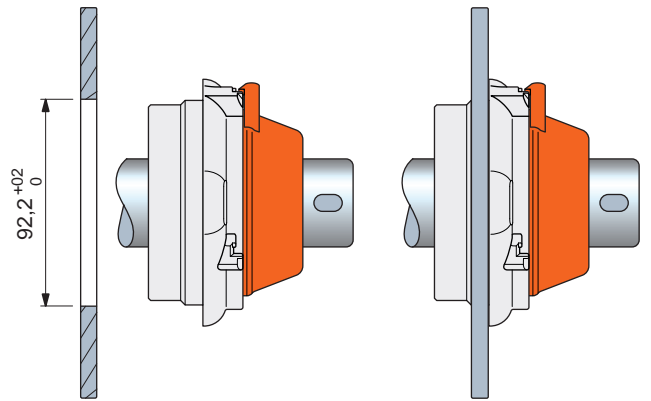
High mechanical and heat resistance. Proof to dust, humidity, washouts, steam, average aggressive chemical agents.

### Solid flange bearings

Closed surface structure, ideal for sanification.

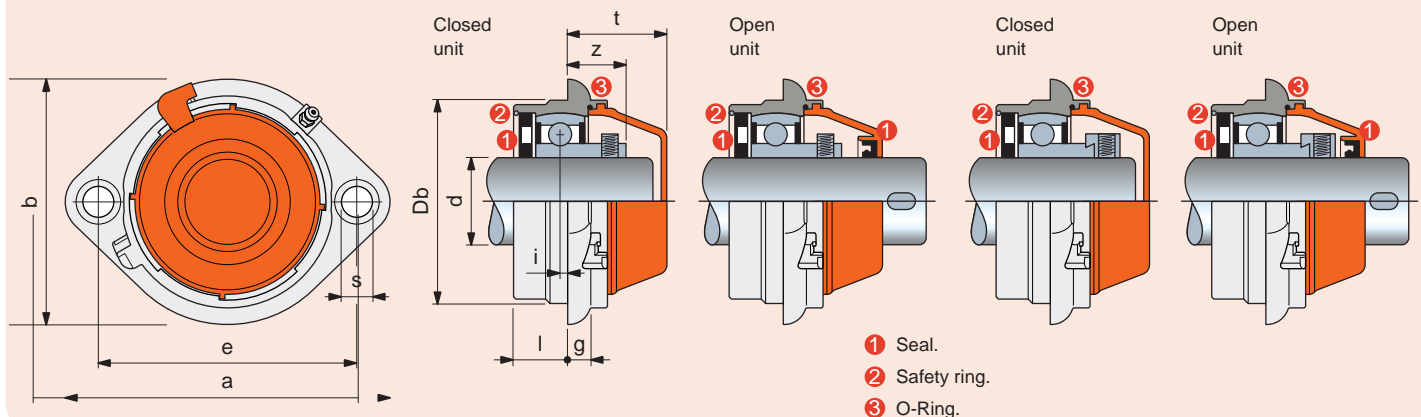
**BALM** is the new generation of MB bearings that allows to standardize one universal solution in place of both square and oval versions, and moreover can simplify and reduce the cost of the conveyor structure in the drive area. **BALM** bearing is "self balanced", that means that bearing insert axis overlaps with the frame sheet axis: as a result torque and forces on the fixation screws are reduced and a smaller-cheaper frame to sustain the drive is possible. There is no need for multiple fixation points. Conveyor room requirement is significantly reduced. Cap coupling is waterproof: the new cap fixation concept enables an effective assembly disassembly and is safely secured.

## Assembly



### • Series UCFX/T • Type A Grub screws shaft locking

### • Series HCFX/T • Type D Eccentric collar shaft locking



dia. d mm	Series	Housing material		Dimensions in mm										Db	Bearing	Weight Kg	Spare parts Cover orange	
		Polyamide PA FV Solid Flange (black) Cover (orange)	Code	e	a	b	s	g	l	i	z	t	Code				Code	
<b>Grub screws shaft locking • Closed unit</b>																		
30	UCFX 206 T	630323	117	147	111	11	10,7	25	2	20,5	45	92	Type A	0,50	630443			
35	SUCFX 207 T	630333	117	147	111	11	10,7	25	2	21,5	45	92	Type A	0,57	630443			
40	SUCFX 208 T	630343	117	147	111	11	10,7	25	2	22,5	45	92	Type A	0,69	630443			
<b>Grub screws shaft locking • Open unit</b>																		
30	UCFX 206 T	630353	117	147	111	11	10,7	25	2	20,5	45	92	Type A	0,50	630453			
35	SUCFX 207 T	630363	117	147	111	11	10,7	25	2	21,5	45	92	Type A	0,57	630463			
40	SUCFX 208 T	630373	117	147	111	11	10,7	25	2	22,5	45	92	Type A	0,69	630473			
<b>Eccentric collar shaft locking • Closed unit</b>																		
30	HCFX 206 T	630383	117	147	111	11	10,7	25	2	25,2	45	92	Type D	0,58	630443			
35	SHCFX 207 T	630393	117	147	111	11	10,7	25	2	27,4	45	92	Type D	0,75	630443			
40	SHCFX 208 T	630403	117	147	111	11	10,7	25	2	30,2	45	92	Type D	0,88	630443			
<b>Eccentric collar shaft locking • Open unit</b>																		
30	HCFX 206 T	630413	117	147	111	11	10,7	25	2	25,2	45	92	Type D	0,58	630453			
35	SHCFX 207 T	630423	117	147	111	11	10,7	25	2	27,4	45	92	Type D	0,75	630463			
40	SHCFX 208 T	630433	117	147	111	11	10,7	25	2	30,2	45	92	Type D	0,88	630473			

Item code for order = B0000 + Code

Packaging: 6 pieces.