

UCFL/C - SUCFL/C - HCFL/C - SHCFL/C



Waterproof housing

Grub screws or eccentric collar shaft locking

PA FV polyamide housing

High mechanical and heat resistance. Proof to dust, humidity, washouts, steam, average aggressive chemical agents.

PP FV polypropylene housing

Proof to highly aggressive chemical agents. Inferior loading ability.

Solid flange bearings

They differ from standard flange versions for their closed surface structure, ideal for sanitation.

Material

PA FV polyamide housing

- Housing in reinforced polyamide PA FV resin (black)
- Protection cover in polypropylene PP (orange)
- Seal and O-Ring in NBR rubber (black)
- Ball type nickel plated brass greasing nipple
- Reinforcing bushings on mounting holes and washers in stainless steel AISI 304

PP FV polypropylene housing

- Housing in reinforced polypropylene PP FV resin (white)
- Protection cover in polypropylene PP (orange)
- Seal and O-Ring in NBR rubber (black).
On request supplied in Viton rubber (brown).
Viton material offers high resistance to chemical agents
- Ball type stainless steel AISI 316 greasing nipple
- Reinforcing bushings on mounting holes and washers in stainless steel AISI 316.

Continuous operating temperature

in air: - 20 to + 60°C.

Maximum allowed misalignment: 2°.

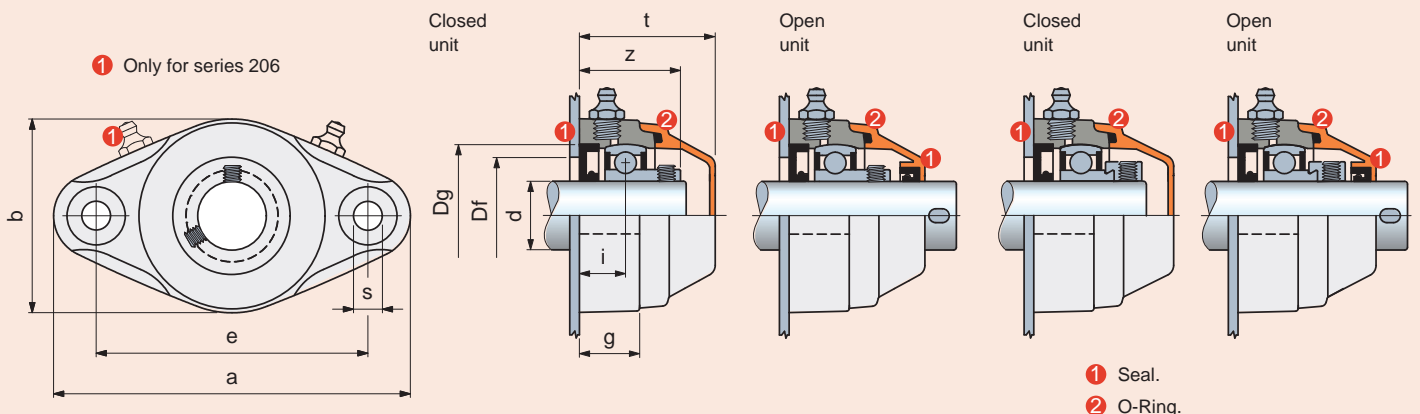
Bearing



- Type A (grub screws shaft locking)
- Type D (eccentric collar shaft locking)
- Chrome alloy steel
- Superagriseal unit
- Prelubricated with lithium / calcium grease
- Can be relubricated.

• Series UCFL/C • Type A Grub screws shaft locking

• Series HCFL/C • Type D Eccentric collar shaft locking



Housing material

dia. d mm	Series	Polyamide PA FV Standard Flange (black) Cover (orange)	Polypropylene PP FV Solid Flange (white) Cover (orange)	Dimensions in mm										Bore in frame ²⁾ Df		Bearing	Weight Kg	Spare parts Cover orange
		Code	Code	e	a	b	s	g	i	z	t	Dg	max.	min.	Code			
Grub screws shaft locking • Closed unit																		
17*	SUCFL 203 C	603763	603803	90	116	62	11	20	15,2	31,2	46	40	38	33	Type A	0,22	681942	
20	UCFL 204 C	69016	679652	90	116	62	11	20	15,2	33,2	46	47	45	40	Type A	0,25	681942	
25	UCFL 205 C	68523	679662	99	130	71	11	22,5	16,8	36,3	49,5	52	50	45	Type A	0,33	681952	
25*	SUCFL 205 C	687562 ¹⁾	687722	90	130	71	11	22,5	16,8	36,3	49,5	52	50	45	Type A	0,33	681952	
30	UCFL 206 C	68399	679672	117	148	85	11	26	20	42	56	62	60	50	Type A	0,42	63154	
30*	SUCFL 206 C	687572 ¹⁾	687732	99	148	85	11	26	20	42	56	62	60	50	Type A	0,42	63154	
35	UCFL 207 C	648131	679682	130	162	93	11	26	19,5	43	59	72	70	55	Type A	0,65	682022	
35*	SUCFL 207 C	697702 ¹⁾	697862	117	148	112	11	26	19,5	43	62	72	70	55	Type A	0,70	63539	
40	UCFL 208 C	672411	679692	144	176	102	11	30	22	47	65,5	80	78	65	Type A	0,90	63539	
40*	SUCFL 208 C	697712 ¹⁾	697872	117	148	112	11	26	19	44	62	80	78	65	Type A	0,74	63539	
Grub screws shaft locking • Open unit																		
17*	SUCFL 203 C	603813	603853	90	116	62	11	20	15,2	31,2	46	40	38	33	Type A	0,22	696162	
20	UCFL 204 C	69026	679702	90	116	62	11	20	15,2	33,2	46	47	45	40	Type A	0,25	681962	
25	UCFL 205 C	68533	679712	99	130	71	11	22,5	16,8	36,3	49,5	52	50	45	Type A	0,33	681972	
25*	SUCFL 205 C	687582 ¹⁾	687742	90	130	71	11	22,5	16,8	36,3	49,5	52	50	45	Type A	0,33	681972	
30	UCFL 206 C	68409	679722	117	148	85	11	26	20	42	56	62	60	50	Type A	0,42	69965	
30*	SUCFL 206 C	687592 ¹⁾	687752	99	148	85	11	26	20	42	56	62	60	50	Type A	0,42	69965	
35	UCFL 207 C	648141	679732	130	162	93	11	26	19,5	43	59	72	70	55	Type A	0,65	682032	
35*	SUCFL 207 C	697722 ¹⁾	697882	117	148	112	11	26	19,5	43	62	72	70	55	Type A	0,70	615692	
40	UCFL 208 C	672421	679742	144	176	102	11	30	22	47	65,5	80	78	65	Type A	0,90	63549	
40*	SUCFL 208 C	697732 ¹⁾	697892	117	148	112	11	26	19	44	62	80	78	65	Type A	0,74	63549	
Eccentric collar shaft locking • Closed unit																		
17*	SHCFL 203 C	603863	603903	90	116	62	11	20	15,2	37,3	49	40	38	33	Type D	0,27	681942	
20	HCFL 204 C	679052	679752	90	116	62	11	20	15,2	38,6	49	47	45	40	Type D	0,30	681942	
25	HCFL 205 C	679062	679762	99	130	71	11	22,5	16,8	40,2	49,5	52	50	45	Type D	0,37	681952	
25*	SHCFL 205 C	687602 ¹⁾	687762	90	130	71	11	22,5	16,8	40,2	49,5	52	50	45	Type D	0,37	681952	
30	HCFL 206 C	679072	679772	117	148	85	11	26	20	46,7	56	62	60	50	Type D	0,49	63154	
30*	SHCFL 206 C	687612 ¹⁾	687772	99	148	85	11	26	20	46,7	56	62	60	50	Type D	0,49	63154	
35	HCFL 207 C	679082	679782	130	162	93	11	26	19,5	48,9	59	72	70	55	Type D	0,83	682022	
35*	SHCFL 207 C	697742 ¹⁾	697902	117	148	112	11	26	19,5	48,9	62	72	70	55	Type D	0,88	63539	
40	HCLF 208 C	679092	679792	144	176	102	11	30	22	54,7	71	80	78	65	Type D	1,09	600882	
40*	SHCFL 208 C	697752 ¹⁾	697912	117	148	112	11	26	19	51,7	68	80	78	65	Type D	0,93	600882	
Eccentric collar shaft locking • Open unit																		
17*	SHCFL 203 C	603913	603953	90	116	62	11	20	15,2	37,3	49	40	38	33	Type D	0,27	696162	
20	HCFL 204 C	679102	679802	90	116	62	11	20	15,2	38,6	49	47	45	40	Type D	0,30	681962	
25	HCFL 205 C	679112	679812	99	130	71	11	22,5	16,8	40,2	49,5	52	50	45	Type D	0,37	681972	
25*	SHCFL 205 C	687622 ¹⁾	687782	90	130	71	11	22,5	16,8	40,2	49,5	52	50	45	Type D	0,37	681972	
30	HCFL 206 C	679122	679822	117	148	85	11	26	20	46,7	56	62	60	50	Type D	0,49	69965	
30*	SHCFL 206 C	687632 ¹⁾	687792	99	148	85	11	26	20	46,7	56	62	60	50	Type D	0,49	69965	
35	HCFL 207 C	679132	679832	130	162	93	11	26	19,5	48,9	59	72	70	55	Type D	0,83	682032	
35*	SHCFL 207 C	697762 ¹⁾	697922	117	148	112	11	26	19,5	48,9	62	72	70	55	Type D	0,88	615692	
40	HCFL 208 C	679142	679842	144	176	102	11	30	22	54,7	71	80	78	65	Type D	1,09	600892	
40*	SHCFL 208 C	697772	697932	117	148	112	11	26	19	51,7	68	80	78	65	Type D	0,93	600892	

Item code for order = B0000 + Code

* = Version with special fixing holes.

SUCFL206C/SHCFL206C: Assembly with cylindrical head screws.

¹⁾ = Solid flange.²⁾ = Dimensions Df max / Df min must be respected to ensure positive retention of the seals and to allow air bleeding during lubrication.

Packaging: 6 pieces.