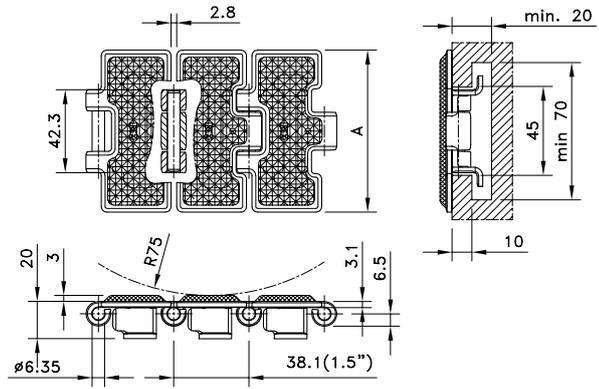


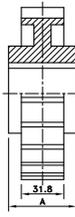
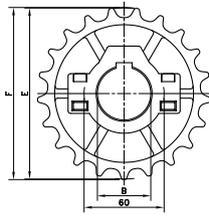
Straight Run Single Hinge Tab RubberTop®



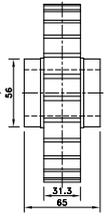
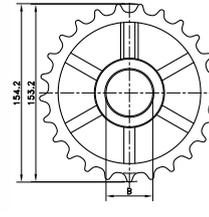
Chain Type	Code Number	Plate Width		Weight	Polished Hinge Eyes	Working Load (max.)
		A				
		mm	inch	kg/m		N
Opti-Plus						
SSR 812 TAB-K325 RT	10.105.21.11	82.5	3.25	3.40	no	6000

Standard length: 3.048 m - 10 feet (80 links).

NS/NSX 881



NX 881



Sprocket Type	Code Number	Number of Teeth	Bore	Pitch Diameter	Outside Diameter	Width (Teeth)	Hub Width	Hub Diameter
			B	E	F	C	A	H
			mm/inch	mm	mm	mm	mm	mm

Split Sprockets and Idlers, Injection Moulded - NS/NSX 881

Sprockets, Metric Bores

NS881 21-25	L0881664501	21	25	129.3	129.5	31.8	51.0	60
NS881 21-30	L0881664511	21	30					
NS881 21-35	L0881664521	21	35					
NS881 21-40	L0881664531	21	40					
NS881 21-45	L0881664541	21	45					
NS881 23-25	L0881662821	23	25	141.2	142.0	31.8	51.0	60
NS881 23-30	L0881662831	23	30					
NS881 23-35	L0881662841	23	35					
NS881 23-40	L0881662851	23	40					
NS881 23-45	L0881662861	23	45					
NS881 25-25	L0881663351	25	25	153.2	154.2	31.3	65.0	56
NS881 25-30	L0881663361	25	30					
NS881 25-35	L0881663371	25	35					
NS881 25-40	L0881663381	25	40					
NS881 25-45	L0881663391	25	45					

Sprockets, Inch Bores*

NS881 21-1	L0881664551	21	1.00"	129.3	129.5	31.8	51.0	60
NS881 21-1¼	L0881664571	21	1.25"					
NS881 21-1½	L0881664591	21	1.50"					
NS881 23-1	L0881662921	23	1.00"	141.2	142.0	31.8	51.0	60
NS881 23-1¼	L0881662941	23	1.25"					
NS881 25-1	L0881663401	25	1.00"					
NS881 25-1¼	L0881663441	25	1.25"	153.2	154.2	31.3	65.0	56
NS881 25-1½	L0881663481	25	1.50"					

Idlers, Metric Bores

NSX881 21-25	L0881639842	21	25	129.3	129.5	31.8	51.0	60
NSX881 21-30	L0881612242	21	30					
NSX881 21-35	L0881612252	21	35					
NSX881 21-40	L08 81612262	21	40					
NSX881 23-25	L0881631332	23	25					
NSX881 23-30	L0881612272	23	30	141.2	142.0	31.8	51.0	60
NSX881 23-35	L0881612282	23	35					
NSX881 23-40	L0881612292	23	40					
NSX881 25-30	L0881609932	25	30					
NSX881 25-35	L0881600282	25	35					
NSX881 25-40	L0881609942	25	40	153.2	154.2	31.3	65.0	56
NSX881 25-45	L0881631222	25	45					

For steel chain series: **Rexnord:** 812 mini hinge, 812-TAB, 881, 8811 (all) MCC: single hinge TAB rubber top.

*Ask Customer service for minimum order quantity of sprockets with inch bores.

Classic Idlers, Injection Moulded - NX 881

Metric Bores

NX881 25-25	L0881620072	25	25	153.2	154.2	31.3	65.0	56
NX881 25-30	L0881666081	25	30					
NX881 25-35	L0881666091	25	35					
NX881 25-40	L0881602916	25	40					

For steel chain series: **Rexnord:** 812 mini hinge, 812-TAB, 881, 8811 (all).