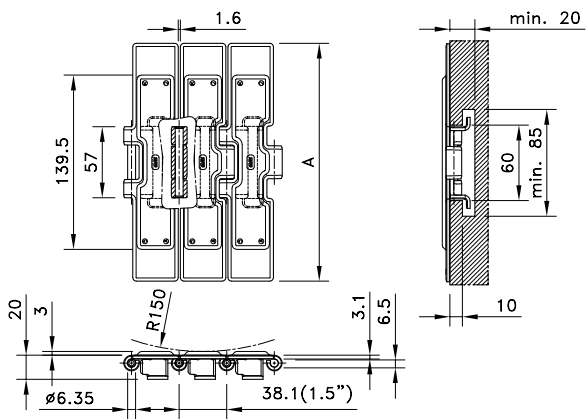


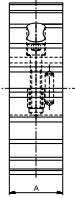
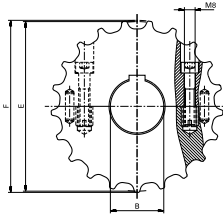
Straight Run Heavy Duty Tab Max-Line RubberTop®



Chain Type	Code Number	Plate Width A		Weight kg/m	Polished Hinge Eyes	Working Load (max.) N
		mm	inch			
66-Series						
66 ST 75 RM	763.04.75	190.5	7.50	6.21	no	7000

Standard length: 3.048 m - 10 feet (80 links).

KUS 815



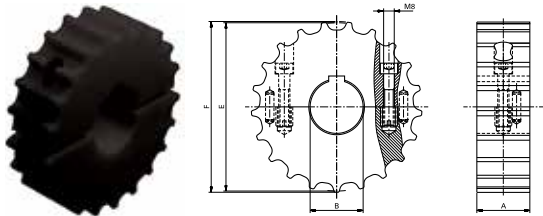
Sprocket Type	Code Number	Number of Teeth	Bore	Pitch Diameter	Outside Diameter	Width (Teeth)	Hub Width	Hub Diameter
			B	E	F	C	A	H
			mm	mm	mm	mm	mm	mm

Split Sprockets And Idlers, Machined - KUS 815

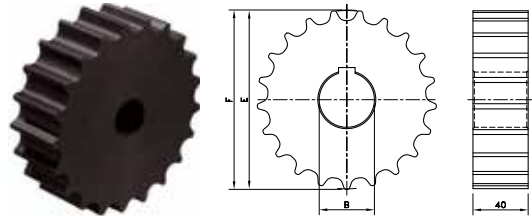
Sprockets, Metric Bores								
KUS815 17-25	753.62.11	17	25	105.5	104.5	40.0	40.0	-
KUS815 17-30	753.62.21	17	30					
KUS815 17-35	753.62.31	17	35					
KUS815 17-40	753.62.41	17	40					
KUS815 19-25	753.62.12	19	25	117.3	116.3			
KUS815 19-30	753.62.22	19	30					
KUS815 19-35	753.62.32	19	35					
KUS815 19-40	753.62.42	19	40					
KUS815 19-50	753.62.62	19	50	129.3	130.0			
KUS815 21-25	753.62.13	21	25					
KUS815 21-30	753.62.23	21	30					
KUS815 21-35	753.62.33	21	35					
KUS815 21-40	753.62.43	21	40	141.2	141.9			
KUS815 21-50	753.62.63	21	50					
KUS815 23-25	753.62.14	23	25					
KUS815 23-30	753.62.24	23	30					
KUS815 23-35	753.62.34	23	35	153.2	153.9			
KUS815 23-40	753.62.44	23	40					
KUS815 23-50	753.62.64	23	50					
KUS815 25-25	753.62.15	25	25					
KUS815 25-30	753.62.25	25	30	165.2	165.9			
KUS815 25-35	753.62.35	25	35					
KUS815 25-40	753.62.45	25	40					
KUS815 25-50	753.62.65	25	50					
KUS815 27-25	753.62.16	27	25	165.2	165.9			
KUS815 27-30	753.62.26	27	30					
KUS815 27-35	753.62.36	27	35					
KUS815 27-40	753.62.46	27	40					
KUS815 27-50	753.62.66	27	50					

Idlers, Metric Bores								
KUS815 17-25	753.61.11	17	25	105.5	104.5	40.0	40.0	-
KUS815 17-30	753.61.21	17	30					
KUS815 17-35	753.61.31	17	35					
KUS815 17-40	753.61.41	17	40					
KUS815 19-25	753.61.12	19	25	117.3	116.3			
KUS815 19-30	753.61.22	19	30					
KUS815 19-35	753.61.32	19	35					
KUS815 19-40	753.61.42	19	40					
KUS815 19-50	753.61.62	19	50	129.3	130.0			
KUS815 21-25	753.61.13	21	25					
KUS815 21-30	753.61.23	21	30					
KUS815 21-35	753.61.33	21	35					
KUS815 21-40	753.61.43	21	40	141.2	141.9			
KUS815 21-50	753.61.63	21	50					
KUS815 23-25	753.61.14	23	25					
KUS815 23-30	753.61.24	23	30					
KUS815 23-35	753.61.34	23	35	141.2	141.9			
KUS815 23-40	753.61.44	23	40					
KUS815 23-50	753.61.64	23	50					

KUS 815



KU 815



Sprocket Type	Code Number	Number of Teeth	Bore	Pitch Diameter	Outside Diameter	Width (Teeth)	Hub Width	Hub Diameter
			B	E	F	C	A	H
			mm	mm	mm	mm	mm	mm

Idlers, Metric Bores continued

KUS815 25-25	753.61.15	25	25	153.2	153.9	40.0	40.0	-
KUS815 25-30	753.61.25	25	30					
KUS815 25-35	753.61.35	25	35					
KUS815 25-40	753.61.4 5	25	40					
KUS815 25-50	753.61.65	25	50	165.2	165.9	40.0	40.0	-
KUS815 27-25	753.61.16	27	25					
KUS815 27-30	753.61.26	27	30					
KUS815 27-35	753.61.36	27	35					
KUS815 27-40	753.61.46	27	40					
KUS815 27-50	753.61.66	27	50					

For steel chain series: **Rexnord**: 812 (except TAB and mini hinge), 815.

MCC: single hinge straight run, single hinge Magnetflex, 66 ST 75 RM.

Classic Sprockets, Machined - KU 815

Metric Bores

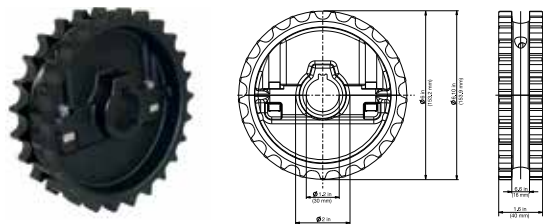
KU815 17-20	753.91.77	17	20*	105.5	104.5	40	-	-
KU815 19-20	753.91.78	19	20*	117.3	116.3			
KU815 21-20	753.91.79	21	20*	129.3	130.0			
KU815 23-20	753.91.80	23	20*	141.2	141.9			
KU815 25-20	753.91.81	25	20*	153.2	153.9			
KU815 27-20	753.91.82	27	20*	165.2	165.9			

*Pre-bore

For steel chain series: **Rexnord**: 812 (except TAB and mini hinge), 815.

MCC: single hinge straight run, single hinge Magnetflex, 66 ST 75 RM.

NSH 820



Sprocket Type	Code Number	Number of Teeth	Pitch Diameter	Outside Diameter	Width	Hub Width	Shaft Size	Equivalent to NS 820	Equivalent to NS 831
			in-mm	in-mm	in-mm	in-mm			
NSH820/831T25R25	L0820641083	25	6.0 / 153.2	6.1 / 154.2	1.50 / 38	1.6 / 40	0.98 / 25	L0820665361	L0831604202
NSH820/831T25R30	L0820641093	25	6.0 / 153.2	6.1 / 154.2	1.65 / 42	1.6 / 40	1.18 / 30	L0820665371	L0831604212
NSH820/831T25R35	L0820641103	25	6.0 / 153.2	6.1 / 154.2	1.85 / 47	1.6 / 40	1.37 / 35	L0820665381	L0831604222
NSH820/831T25R40	L0820641113	25	6.0 / 153.2	6.1 / 154.2	2.05 / 52	1.6 / 40	1.57 / 40	L0820665391	L0831604232
NSH820/831T25R45	L0820641123	25	6.0 / 153.2	6.1 / 154.2	2.25 / 57	1.6 / 40	1.77 / 45	L0820665401	L0831604242