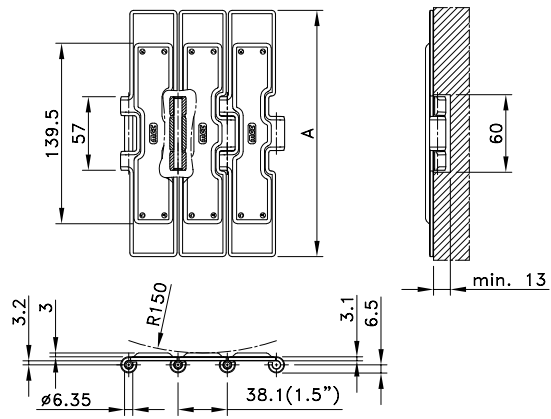
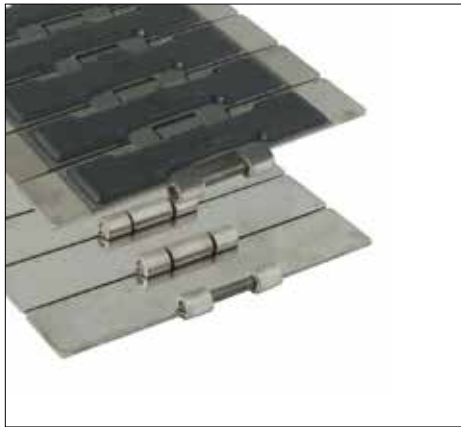


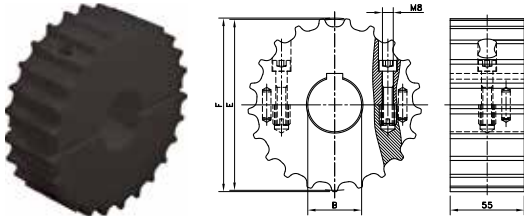
Straight Run Heavy Duty Max-Line RubberTop®



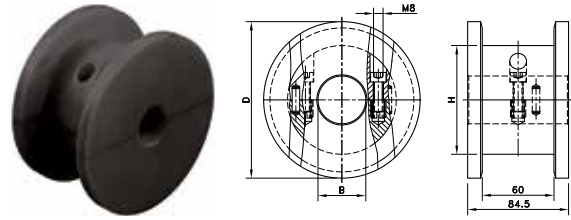
| Chain Type | Code Number | Plate Width A | | Weight kg/m | Polished Hinge Eyes | Working Load (max.) N |
|------------------|-------------|------------------|------|----------------|---------------------------|--------------------------------|
| | | mm | inch | | | |
| 66-Series | | | | | | |
| 66 S 75 RM | 752.64.75 | 190.5 | 7.50 | 5.21 | no | 7000 |

Standard length: 3.048 m - 10 feet (80 links).

SS/SI 75



SD 75



Split Sprockets And Idlers, Machined - SS/SI 75

Sprockets, Metric Bores

| | | | | | | | | |
|-------------|-----------|----|----|-------|-------|------|------|---|
| SS 75 21-25 | 753.63.61 | 21 | 25 | 129.3 | 130.0 | 55.0 | 55.0 | - |
| SS 75 21-30 | 753.63.62 | 21 | 30 | | | | | |
| SS 75 21-35 | 753.63.63 | 21 | 35 | | | | | |
| SS 75 21-40 | 753.63.64 | 21 | 40 | | | | | |
| SS 75 21-50 | 753.63.65 | 21 | 50 | | | | | |
| SS 75 25-25 | 753.63.81 | 25 | 25 | 153.2 | 153.9 | 55.0 | 55.0 | - |
| SS 75 25-30 | 753.63.82 | 25 | 30 | | | | | |
| SS 75 25-35 | 753.63.83 | 25 | 35 | | | | | |
| SS 75 25-40 | 753.63.84 | 25 | 40 | | | | | |
| SS 75 25-50 | 753.63.85 | 25 | 50 | | | | | |

Idlers, Metric Bores

| | | | | | | | | |
|-------------|-----------|----|----|-------|-------|------|------|---|
| SI 75 21-25 | 753.63.11 | 21 | 25 | 129.3 | 130.0 | 55.0 | 55.0 | - |
| SI 75 21-30 | 753.63.12 | 21 | 30 | | | | | |
| SI 75 21-35 | 753.63.13 | 21 | 35 | | | | | |
| SI 75 21-40 | 753.63.14 | 21 | 40 | | | | | |
| SI 75 21-50 | 753.63.15 | 21 | 50 | | | | | |
| SI 75 25-25 | 753.63.31 | 25 | 25 | 153.2 | 153.9 | 55.0 | 55.0 | - |
| SI 75 25-30 | 753.63.32 | 25 | 30 | | | | | |
| SI 75 25-35 | 753.63.33 | 25 | 35 | | | | | |
| SI 75 25-40 | 753.63.34 | 25 | 40 | | | | | |
| SI 75 25-50 | 753.63.35 | 25 | 50 | | | | | |

For steel chain series: MCC: straight run heavy duty, heavy duty Magnetflex

Split Idler Drums, Machined - SD 75

Metric Bores

| | | | | | | | | |
|--------------|-----------|----|----|-------|-------|------|------|-----|
| SD 75 131-20 | 754.10.46 | 21 | 20 | 129.3 | 131.0 | 84.5 | 84.5 | 91 |
| SD 75 131-25 | 754.10.47 | 21 | 25 | | | | | |
| SD 75 131-30 | 754.10.48 | 21 | 30 | | | | | |
| SD 75 131-35 | 754.10.49 | 21 | 35 | | | | | |
| SD 75 131-40 | 754.10.50 | 21 | 40 | | | | | |
| SD 75 131-50 | 754.10.51 | 21 | 50 | 153.2 | 155.0 | 84.5 | 84.5 | 115 |
| SD 75 155-20 | 754.12.86 | 25 | 20 | | | | | |
| SD 75 155-25 | 754.12.87 | 25 | 25 | | | | | |
| SD 75 155-30 | 754.12.88 | 25 | 30 | | | | | |
| SD 75 155-35 | 754.12.89 | 25 | 35 | | | | | |
| SD 75 155-40 | 754.12.90 | 25 | 40 | | | | | |
| SD 75 155-50 | 754.12.91 | 25 | 50 | | | | | |

For steel chain series: MCC: straight run heavy duty, heavy duty Magnetflex.

For plastic chain series: HDS, HDFM.