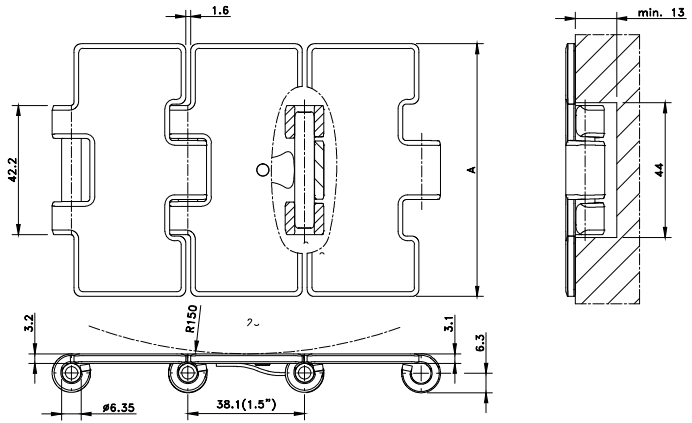


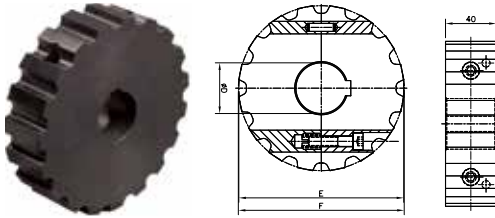
Straight Run Single Hinge Quick Linq



Chain Type	Code Number	Plate Width		Weight	Surface Flatness (max.)	Polished Hinge Eyes	Working Load (max.)
		A					
		mm	inch	kg/m	mm		N
60 Series Quick Linq							
60S31XM Quick Linq	10384357	82.5	3.25	2.50	0.08	yes	6000
60S84XM Quick Linq	10384359	84	3.30	2.52	0.08	yes	
60 Series HB Quick Linq							
60S31XM HB Quick Linq	10384360	82,5	3.25	2,61	0,08	yes	6000
60S31XM HB Quick Linq	10384361	84	3,30	2,63	0,08	yes	
66 Series XHB Quick Linq							
66S31XM XHB Quick Linq	10384363	82.5	3.25	2,61	0.08	yes	6000
66S84XM XHB Quick Linq	10384364	84	3,30	2,63	0.08	yes	

Standard length: 3.048 m - 10 feet (80 links).

SS/SI 661



Sprocket Type	Code Number	Number of Teeth	Bore	Pitch Diameter	Outside Diameter	Hub Width
			B	E	F/D	A
			mm/inch	mm	mm	mm

Split Sprockets And Idlers, Machined - SS/SI 661

Sprockets, Metric Bores

KUS 661 11-30	753.95.01	11	30	90.2	89.9	40
KUS 661 11-35	753.95.02	11	35			
KUS 661 11-40	753.95.03	11	40			
KUS 661 13-30	753.95.14	13	30	106.1	106.7	
KUS 661 13-35	753.95.15	13	35			
KUS 661 13-40	753.95.16	13	40			
KUS 661 14-30	753.95.27	14	30	114.1	114.6	
KUS 661 14-35	753.95.28	14	35			
KUS 661 14-40	753.95.29	14	40			
KUS 661 15-30	753.95.40	15	30	122.2	122.8	
KUS 661 15-35	753.95.41	15	35			
KUS 661 15-40	753.95.42	15	40			
KUS 661 16-30	753.95.53	16	30	130.2	131.0	
KUS 661 16-35	753.95.54	16	35			
KUS 661 16-40	753.95.55	16	40			
KUS 661 19-30	753.95.66	19	30	154.3	155.4	
KUS 661 19-35	753.95.67	19	35			
KUS 661 19-40	753.95.68	19	40			

Sprockets, inch bores

KUS 661 11-1 1/4"	753.95.04	11	1.250"	90.2	89.9	40
KUS 661 11-1 7/16"	753.95.05	11	1.438"			
KUS 661 11-1 1/2"	753.95.06	11	1.500"			
KUS 661 13-1 1/4"	753.95.17	13	1.250"	106.1	106.7	
KUS 661 13-1 7/16"	753.95.18	13	1.438"			
KUS 661 13-1 1/2"	753.95.19	13	1.500"			
KUS 661 14-1 1/4"	753.95.30	14	1.250"	114.1	114.6	
KUS 661 14-1 7/16"	753.95.31	14	1.438"			
KUS 661 14-1 1/2"	753.95.32	14	1.500"			
KUS 661 15-1 1/4"	753.95.43	15	1.250"	122.2	122.8	
KUS 661 15-1 7/16"	753.95.44	15	1.438"			
KUS 661 15-1 1/2"	753.95.45	15	1.500"			
KUS 661 16-1 1/4"	753.95.56	16	1.250"	130.2	131.0	
KUS 661 16-1 7/16"	753.95.57	16	1.438"			
KUS 661 16-1 1/2"	753.95.58	16	1.500"			
KUS 661 19-1 1/4"	753.95.69	19	1.250"	154.3	155.4	
KUS 661 19-1 7/16"	753.95.70	19	1.438"			
KUS 661 19-1 1/2"	753.95.71	19	1.500"			

Idlers, Metric Bores

KUS 661 11-30	753.95.07	11	30	90.2	89.9	40
KUS 661 11-35	753.95.08	11	35			
KUS 661 11-40	753.95.09	11	40			
KUS 661 13-30	753.95.20	13	30	106.1	106.7	
KUS 661 13-35	753.95.21	13	35			
KUS 661 13-40	753.95.22	13	40			
KUS 661 14-30	753.95.33	14	30	114.1	114.6	
KUS 661 14-35	753.95.34	14	35			
KUS 661 14-40	753.95.35	14	40			
KUS 661 15-30	753.95.46	15	30	122.2	122.8	
KUS 661 15-35	753.95.47	15	35			
KUS 661 15-40	753.95.48	15	40			
KUS 661 16-30	753.95.59	16	30	130.2	131.0	
KUS 661 16-35	753.95.60	16	35			
KUS 661 16-40	753.95.61	16	40			
KUS 661 19-30	753.95.72	19	30	154.3	155.4	
KUS 661 19-35	753.95.73	19	35			
KUS 661 19-40	753.95.74	19	40			

For steel chain series: 661.