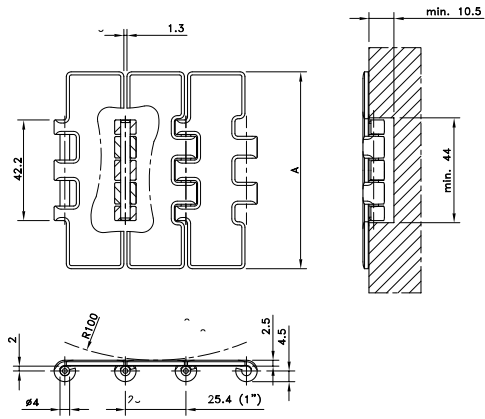
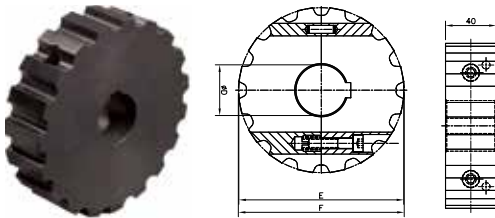


Straight Run Double Hinge Max-Line 1"



Chain Type	Code Number	Plate Width		Weight	Surface Flatness (max.)	Polished Hinge Eyes	Working Load (max.)
		A					
		mm	inch				
661-Series							
661 S 31 SM	762.09.90	82.5	3.25	1.96	0.10	yes	5100
661 S 84 SM	762.09.91	83.8	3.30	1.97			

SS/SI 661



Sprocket Type	Code Number	Number of Teeth	Bore	Pitch Diameter	Outside Diameter	Hub Width
			B	E	F/D	A
			mm/inch	mm	mm	mm

Split Sprockets And Idlers, Machined - SS/SI 661

Sprockets, Metric Bores

KUS 661 11-30	753.95.01	11	30	90.2	89.9	40
KUS 661 11-35	753.95.02	11	35			
KUS 661 11-40	753.95.03	11	40			
KUS 661 13-30	753.95.14	13	30	106.1	106.7	
KUS 661 13-35	753.95.15	13	35			
KUS 661 13-40	753.95.16	13	40			
KUS 661 14-30	753.95.27	14	30	114.1	114.6	
KUS 661 14-35	753.95.28	14	35			
KUS 661 14-40	753.95.29	14	40			
KUS 661 15-30	753.95.40	15	30	122.2	122.8	
KUS 661 15-35	753.95.41	15	35			
KUS 661 15-40	753.95.42	15	40			
KUS 661 16-30	753.95.53	16	30	130.2	131.0	
KUS 661 16-35	753.95.54	16	35			
KUS 661 16-40	753.95.55	16	40			
KUS 661 19-30	753.95.66	19	30	154.3	155.4	
KUS 661 19-35	753.95.67	19	35			
KUS 661 19-40	753.95.68	19	40			

Sprockets, inch bores

KUS 661 11-1 1/4"	753.95.04	11	1.250"	90.2	89.9	40
KUS 661 11-1 7/16"	753.95.05	11	1.438"			
KUS 661 11-1 1/2"	753.95.06	11	1.500"			
KUS 661 13-1 1/4"	753.95.17	13	1.250"	106.1	106.7	
KUS 661 13-1 7/16"	753.95.18	13	1.438"			
KUS 661 13-1 1/2"	753.95.19	13	1.500"			
KUS 661 14-1 1/4"	753.95.30	14	1.250"	114.1	114.6	
KUS 661 14-1 7/16"	753.95.31	14	1.438"			
KUS 661 14-1 1/2"	753.95.32	14	1.500"			
KUS 661 15-1 1/4"	753.95.43	15	1.250"	122.2	122.8	
KUS 661 15-1 7/16"	753.95.44	15	1.438"			
KUS 661 15-1 1/2"	753.95.45	15	1.500"			
KUS 661 16-1 1/4"	753.95.56	16	1.250"	130.2	131.0	
KUS 661 16-1 7/16"	753.95.57	16	1.438"			
KUS 661 16-1 1/2"	753.95.58	16	1.500"			
KUS 661 19-1 1/4"	753.95.69	19	1.250"	154.3	155.4	
KUS 661 19-1 7/16"	753.95.70	19	1.438"			
KUS 661 19-1 1/2"	753.95.71	19	1.500"			

Idlers, Metric Bores

KUS 661 11-30	753.95.07	11	30	90.2	89.9	40
KUS 661 11-35	753.95.08	11	35			
KUS 661 11-40	753.95.09	11	40			
KUS 661 13-30	753.95.20	13	30	106.1	106.7	
KUS 661 13-35	753.95.21	13	35			
KUS 661 13-40	753.95.22	13	40			
KUS 661 14-30	753.95.33	14	30	114.1	114.6	
KUS 661 14-35	753.95.34	14	35			
KUS 661 14-40	753.95.35	14	40			
KUS 661 15-30	753.95.46	15	30	122.2	122.8	
KUS 661 15-35	753.95.47	15	35			
KUS 661 15-40	753.95.48	15	40			
KUS 661 16-30	753.95.59	16	30	130.2	131.0	
KUS 661 16-35	753.95.60	16	35			
KUS 661 16-40	753.95.61	16	40			
KUS 661 19-30	753.95.72	19	30	154.3	155.4	
KUS 661 19-35	753.95.73	19	35			
KUS 661 19-40	753.95.74	19	40			

For steel chain series: 661.