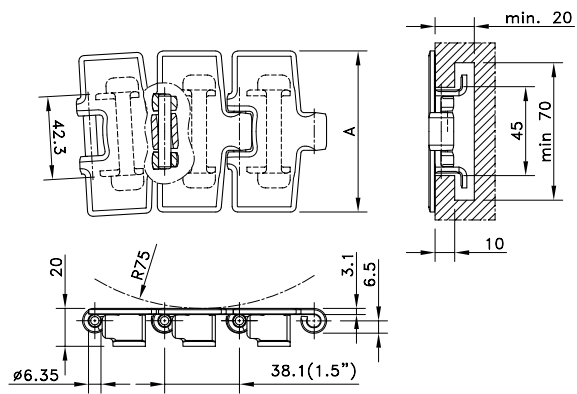


Sideflex Single Hinge Tab

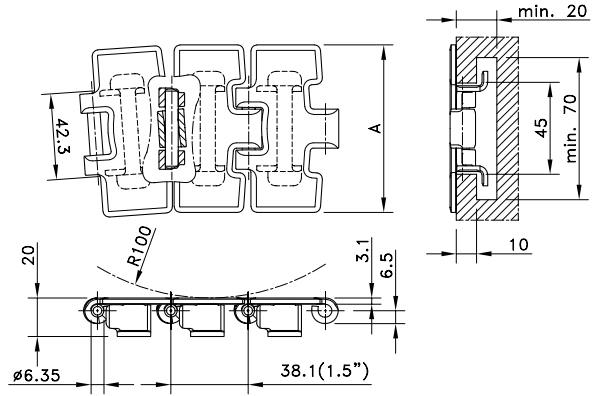


Chain Type	Code Number	Plate Width		Weight	Surface Flatness (max.)	Polished Hinge Eyes	Working Load (max.)
		A					
		mm	inch	kg/m	mm		N
Austenitic Chrome Nickel							
SS 881 TAB-K325	765.31.31	82.5	3.25	2.97	0.18	no	3500
SS 881 TAB-K450	765.31.42	114.3	4.50	3.71	0.25	no	
SS 881 TAB-K750	765.31.72	190.5	7.50	5.49	0.60	no	
Carbon Steel							
S 881 TAB-K325	765.91.31	82.5	3.25	2.97	0.40	no	8350
S 881 TAB-K450	765.91.42	114.3	4.50	3.71	0.60	no	
S 881 TAB-K750	765.91.72	190.5	7.50	5.49	0.90	no	

Standard length: 3.048 m - 10 feet (80 links).

Sideflex radius min. 500 mm (for K325 and K450) and min. 610 mm (for K750).

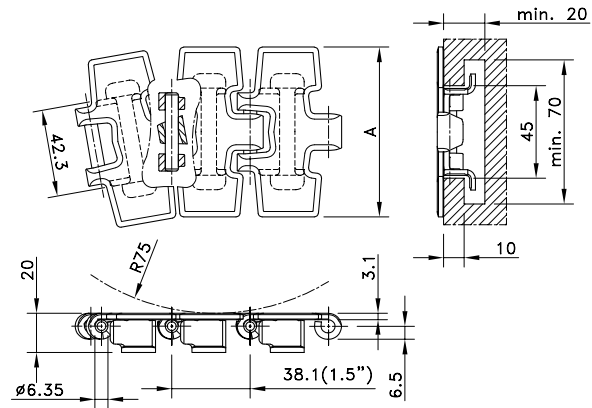
Sideflex Single Hinge Tab Max-Line



Chain Type	Code Number	Plate Width		Weight	Surface Flatness (max.)	Polished Hinge Eyes	Working Load (max.)
		A					
		mm	inch				
10-Series							
10 T 31 M	768.13.01	82.5	3.25	3.10	0.18	no	4950
Opti-Plus							
SSC 8811 TAB-K325	10.114.21.11	82.5	3.25	3.10	0.18	no	6000
SSC 8811 TAB-K350	10.114.21.12	88.9	3.50	3.30	0.18	no	
SSC 8811 TAB-K450	10.114.21.14	114.3	4.50	3.80	0.25	no	
SSC 8811 TAB-K750	10.114.21.16	190.5	7.50	5.50	0.60	no	

Standard length: 3.048 m - 10 feet (80 links).
Sideflex radius min. 500 mm.

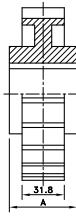
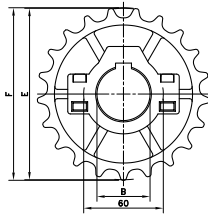
Sideflex Single Hinge Small Radius



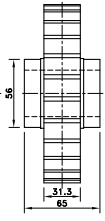
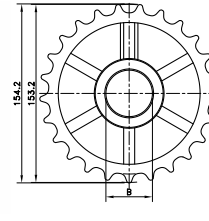
Chain Type	Code Number	Plate Width		Weight	Surface Flatness (max.)	Polished Hinge Eyes	Working Load (max.)
		A					
		mm	inch				
Opti-Plus							
SSR 8811 TAB BO-K325	62969	82.5	3.25	3.10	0.18	no	4500

Standard length: 3.048 m - 10 feet (80 links).
Sideflex radius min. 200 mm.

NS/NSX 881



NX 881



Sprocket Type	Code Number	Number of Teeth	Bore	Pitch Diameter	Outside Diameter	Width (Teeth)	Hub Width	Hub Diameter
			B	E	F	C	A	H
			mm/inch	mm	mm	mm	mm	mm

Split Sprockets and Idlers, Injection Moulded - NS/NSX 881

Sprockets, Metric Bores

NS881 21-25	L0881664501	21	25	129.3	129.5	31.8	51.0	60
NS881 21-30	L0881664511	21	30					
NS881 21-35	L0881664521	21	35					
NS881 21-40	L0881664531	21	40					
NS881 21-45	L0881664541	21	45					
NS881 23-25	L0881662821	23	25	141.2	142.0	31.8	51.0	60
NS881 23-30	L0881662831	23	30					
NS881 23-35	L0881662841	23	35					
NS881 23-40	L0881662851	23	40					
NS881 23-45	L0881662861	23	45					
NS881 25-25	L0881663351	25	25	153.2	154.2	31.3	65.0	56
NS881 25-30	L0881663361	25	30					
NS881 25-35	L0881663371	25	35					
NS881 25-40	L0881663381	25	40					
NS881 25-45	L0881663391	25	45					

Sprockets, Inch Bores*

NS881 21-1	L0881664551	21	1.00"	129.3	129.5	31.8	51.0	60
NS881 21-1¼	L0881664571	21	1.25"					
NS881 21-1½	L0881664591	21	1.50"					
NS881 23-1	L0881662921	23	1.00"	141.2	142.0	31.8	51.0	60
NS881 23-1¼	L0881662941	23	1.25"					
NS881 25-1	L0881663401	25	1.00"					
NS881 25-1¼	L0881663441	25	1.25"	153.2	154.2	31.3	65.0	56
NS881 25-1½	L0881663481	25	1.50"					

Idlers, Metric Bores

NSX881 21-25	L0881639842	21	25	129.3	129.5	31.8	51.0	60
NSX881 21-30	L0881612242	21	30					
NSX881 21-35	L0881612252	21	35					
NSX881 21-40	L08 81612262	21	40					
NSX881 23-25	L0881631332	23	25					
NSX881 23-30	L0881612272	23	30	141.2	142.0	31.8	51.0	60
NSX881 23-35	L0881612282	23	35					
NSX881 23-40	L0881612292	23	40					
NSX881 25-30	L0881609932	25	30					
NSX881 25-35	L0881600282	25	35					
NSX881 25-40	L0881609942	25	40	153.2	154.2	31.3	65.0	56
NSX881 25-45	L0881631222	25	45					

For steel chain series: **Rexnord:** 812 mini hinge, 812-TAB, 881, 8811 (all) MCC: single hinge TAB rubber top.

*Ask Customer service for minimum order quantity of sprockets with inch bores.

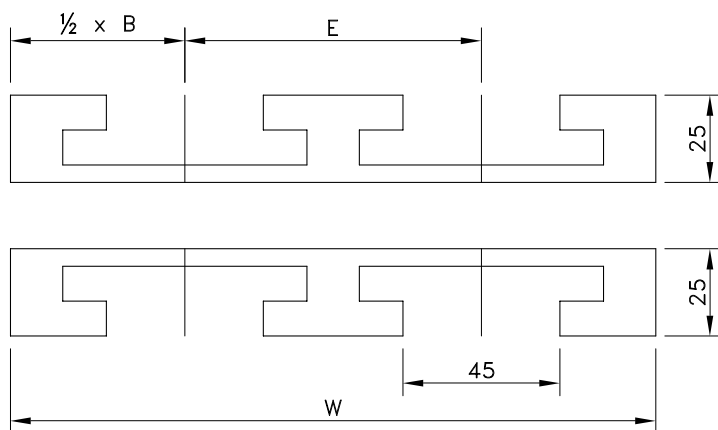
Classic Idlers, Injection Moulded - NX 881

Metric Bores

NX881 25-25	L0881620072	25	25	153.2	154.2	31.3	65.0	56
NX881 25-30	L0881666081	25	30					
NX881 25-35	L0881666091	25	35					
NX881 25-40	L0881602916	25	40					

For steel chain series: **Rexnord:** 812 mini hinge, 812-TAB, 881, 8811 (all).

KTX for single hinge chains



Number of Tracks	1	2	3	Pitch	Basic Width	Radius
				E	M	R
				mm	mm	mm

Version KTX 013

Width W	100 mm	190 mm	280 mm	For 3.25" wide chains		
15°	L0KTX649933	L0KTX649943	L0KTX649953	90	100	500
30°	L0KTX649963	L0KTX649973	L0KTX649983			
45°	L0KTX649993	L0KTX650003	L0KTX650013			
60°	L0KTX650023	L0KTX650033	L0KTX650043			
75°	L0KTX650053	L0KTX650063	L0KTX650073			
90°	L0KTX650083	L0KTX650093	L0KTX650103			

Version KTX 018

Width W	125 mm	245 mm	365 mm	For 4.50" wide chains		
15°	L0KTX650113	L0KTX650123	L0KTX650133	120	120	120
30°	L0KTX650143	L0KTX650153	L0KTX650163			
45°	L0KTX650173	L0KTX650183	L0KTX650193			
60°	L0KTX650203	L0KTX650213	L0KTX650223			
75°	L0KTX650233	L0KTX650243	L0KTX650253			
90°	L0KTX650263	L0KTX650273	L0KTX650283			

Version KTU 013

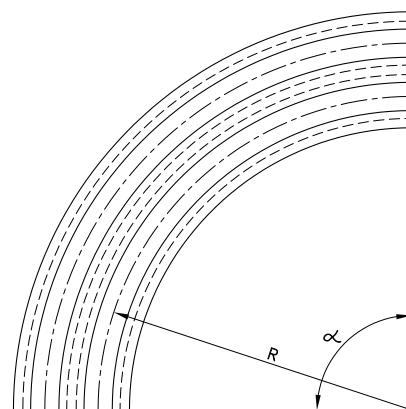
Width W	100 mm	190 mm	280 mm	For 3.25" wide chains		
15°	787.02.77	787.0 8.24	787.08.25	90	100	500
30°	787.05.60	787.08.29	787.08.30			
45°	787.03.08	787.04.06	787.08.34			
60°	787.05.71	787.08.38	787.08.39			
75°	787.05.77	787.08.43	787.08.44			
90°	787.00.02	787.00.51	787.00.50			

Version KTU 018

Width W	125 mm	245 mm	365 mm	For 4.50" wide chains		
15°	787.08.49	787.08.50	787.08.51	120	125	610
30°	787.08.55	787.08.56	787.08.57			
45°	787.07.37	787.08.61	787.08.62			
60°	787.08.66	787.08.67	787.08.68			
75°	787.08.72	787.08.73	787.08.74			
90°	787.01.09	787.00.87	787.01.10			

Version KTU 030

Width W	200 mm	395 mm	590 mm	For 7.50" wide chains		
15°	787.08.80	787.08.81	787.08.82	195	200	610
30°	787.08.86	787.08.87	787.08.88			
45°	787.08.92	787.08.93	787.08.94			
60°	787.08.98	787.08.99	787.09.00			
75°	787.09.04	787.09.05	787.09.06			
90°	787.00.07	787.01.11	787.01.12			



For steel chains:

- 8811 TAB
- 881 TAB
- 66 T 72 RM

For plastic chains:

- 880 TAB
- 880 TAB BO
- 879 TAB
- 879 TAB BO
- 880 TAB BOT
- RH
- RHD
- 1050 TAB
- 1055 TAB

KTU for single hinge chains



The code nr. includes both upper and under part.