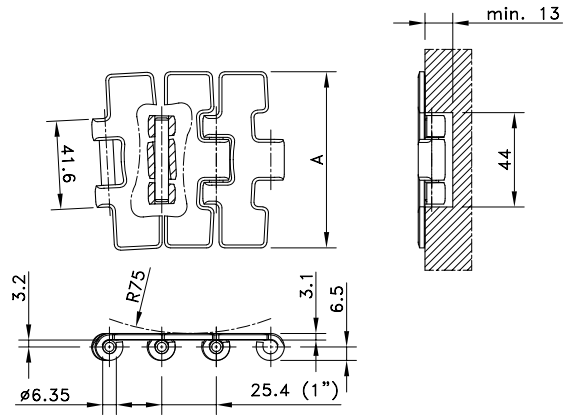


Magnetflex® Single Hinge 1"



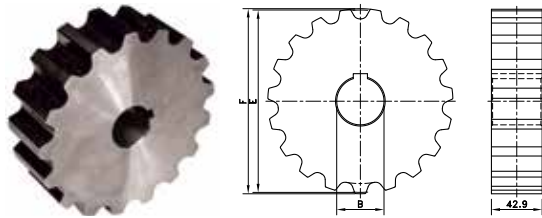
Chain Type	Code Number	Plate Width		Weight	Surface Flatness (max.)	Polished Hinge Eyes	Weight per Link (m)
		A					
		mm	inch	kg/m	mm		
Opti-Plus							
SSC 581 M-K325	10.027.21.11*	82,5	3,25	2,80	0,18	no	50

Standard length: 3.048 m - 10 feet (120 links).

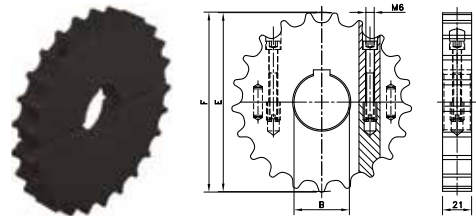
Sideflex radius min. 500 mm.

* Ask customer service for minimum order quantity.

ST 512



SS MINI



Sprocket Type	Code Number	Number of Teeth	Bore	Pitch Diameter	Outside Diameter	Width (Teeth)	Hub Width	Hub Diameter
			B	E	F	C	A	H
			mm/inch	mm	mm	mm	mm	mm

Classic Sprockets, Machined - ST 512

Metric Bores								
ST512 13-20	753.93.77	13	20*	106.1	107.4	42.9	42.9	-
ST512 15-20	753.93.78	15	20*	122.2	123.9			
ST512 17-20	753.93.79	17	20*	138.2	140.3			
ST512 19-20	753.93.80	19	20*	154.3	156.6			
ST512 21-20	753.93.81	21	20*	170.4	172.9			
ST512 23-20	753.93.82	23	20*	186.5	189.2			
ST512 25-20	753.93.83	25	20*	202.7	205.4			

* Pre-bore

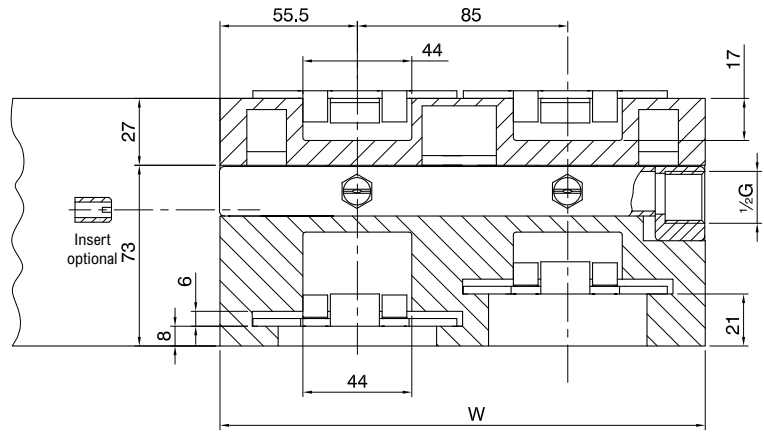
For steel chain series: **Rexnord:** 512, 581 M.

Split Sprockets, Machined - SS Mini

Metric Bores								
SS MINI 21-25	753.67.61	21	25	129.3	130.0	21.0	21.0	-
SS MINI 21-30	753.67.62	21	30					
SS MINI 21-35	753.67.63	21	35					
SS MINI 21-40	753.67.64	21	40					
SS MINI 21-50	753.67.65	21	50					
SS MINI 25-25	753.67.81	25	25	153.2	153.9			
SS MINI 25-30	753.67.82	25	30					
SS MINI 25-35	753.67.83	25	35					
SS MINI 25-40	753.67.84	25	40					
SS MINI 25-50	753.67.85	25	50					

For steel chain series: **Rexnord:** 812-narrow, mini hinge.

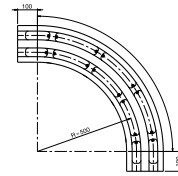
Magnetflex Version CIP4



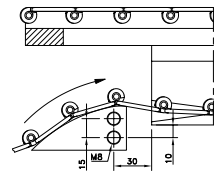
Number of Tracks	1	2	3	4	5	6
Width W	111 mm	196 mm	281 mm	366 mm	451 mm	536 mm

Version CIP4

15°	785.45.16	785.45.17	785.45.18	785.45.19	785.45.20	785.45.21
30°	785.45.31	785.45.32	785.45.33	785.45.34	785.45.35	785.45.36
45°	785.45.46	785.45.47	785.45.48	785.45.49	785.45.50	785.45.51
60°	785.45.61	785.45.62	785.45.63	785.45.64	785.45.65	785.45.66
75°	785.45.76	785.45.77	785.45.78	785.45.79	785.45.80	785.45.81
90°	785.45.01	785.45.02	785.45.03	785.45.04	785.45.05	785.45.06



Radius

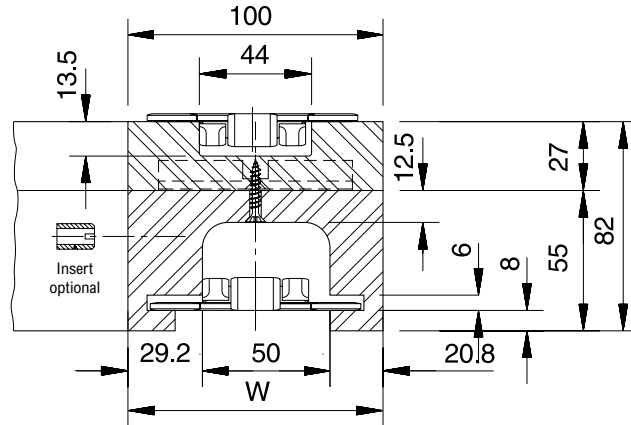


Return guide shoe

More than 6 tracks on request.

- For steel chains: 10/60/66 M 31 M, 60/66 M 31 XM, 66 M 31 RM, 60/66 M 84 XM.

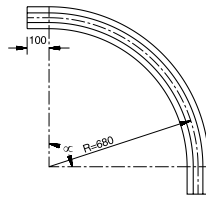
Magnetflex Combi-A Version C5A-C5C



Number of Tracks	1
Width W	100 mm

Version C5A

15°	704.09.16
30°	704.09.31
45°	704.09.46
60°	704.09.61
75°	704.09.76
90°	704.09.01

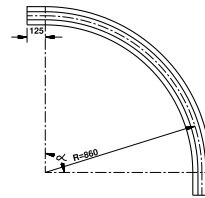


Radius

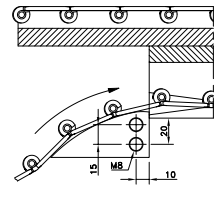
Number of Tracks	1
Width W	100 mm

Version C5C

15°	704.11.16
30°	704.11.31
45°	704.11.46
60°	704.11.61
75°	704.11.76
90°	704.11.01



Radius



Return guide shoe for C5A-C5C

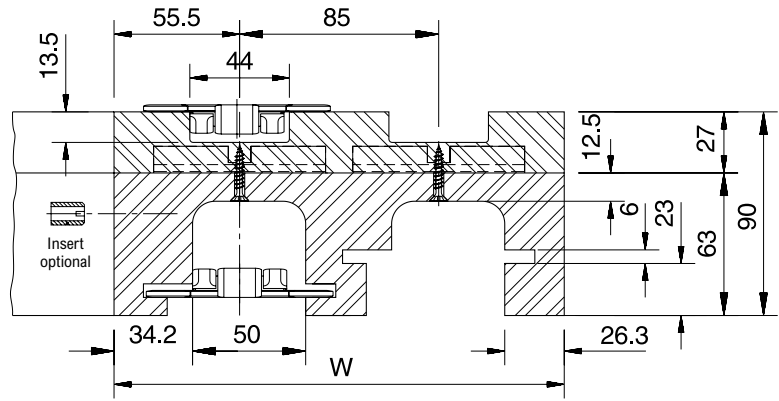
More than 1 track on request.

- For steel chains: 10/60/66 M 31 M, 60/66 M 31 SM, 66 M 31 RM, 60/66 M 84 SM.
- For plastic chains: RHMP 325, RHMDP 325, RHMP 84.

More than 1 track on request.

- For steel chains: 10/60/66 M 31 M, 60/66 M 31 SM, 66 M 31 RM, 60/66 M 84 SM, SSC 581 M-K325.
- For plastic chains: RHMP 325, RHMDP 325, RHMP 84.

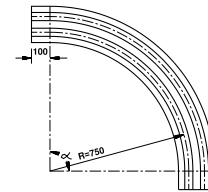
Magnetflex Combi-A Version C42



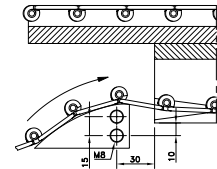
Number of Tracks	1	2	3	4	5	6
Width W	111 mm	196 mm	281 mm	366 mm	451 mm	536 mm

Version C42

15°	704.28.16	704.28.17	704.28.18	704.28.19	704.28.20	704.28.21
30°	704.28.31	704.28.32	704.28.33	704.28.34	704.28.35	704.28.36
45°	704.28.46	704.28.47	704.28.48	704.28.49	704.28.50	704.28.51
60°	704.28.61	704.28.62	704.28.63	704.28.64	704.28.65	704.28.66
75°	704.28.76	704.28.77	704.28.78	704.28.79	704.28.80	704.28.81
90°	704.28.01	704.28.02	704.28.03	704.28.04	704.28.05	704.28.06



Radius

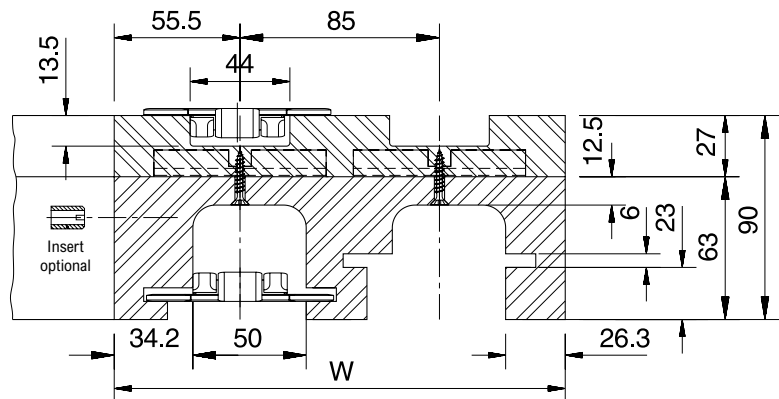


Return guide shoe

More than 6 tracks on request.

- For steel chains: 10/60/66 M 31 M, 60/66 M 31 XM, 66 M 31 RM, 60/66 M 84 XM.
- For plastic chains: RHMP 325, RHMDP 325, RHMP 84.

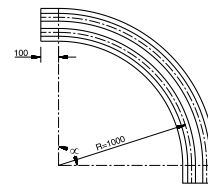
Magnetflex Combi-A Version C43



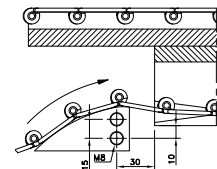
Number of Tracks	1	2	3	4	5	6
Width W	111 mm	196 mm	281 mm	366 mm	451 mm	536 mm

Version C43

15°	704.29.16	704.29.17	704.29.18	704.29.19	704.29.20	704.29.21
30°	704.29.31	704.29.32	704.29.33	704.29.34	704.29.35	704.29.36
45°	704.29.46	704.29.47	704.29.48	704.29.49	704.29.50	704.29.51
60°	704.29.61	704.29.62	704.29.63	704.29.64	704.29.65	704.29.66
75°	704.29.76	704.29.77	704.29.78	704.29.79	704.29.80	704.29.81
90°	704.29.01	704.29.02	704.29.03	704.29.04	704.29.05	704.29.06



Radius



Return guide shoe

More than 6 tracks on request.

- For steel chains: 10/60/66 M 31 M, 60/66 M 31 XM, 66 M 31 RM, 60/66 M 84 XM, SSC 581 M-K325.
- For plastic chains: RHMP 325, RHMDP 325, RHMP 84.