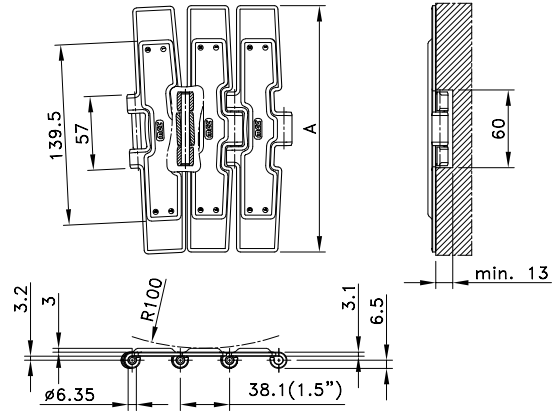


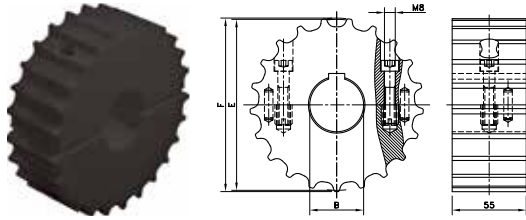
# Magnetflex® Heavy Duty Max-Line RubberTop®



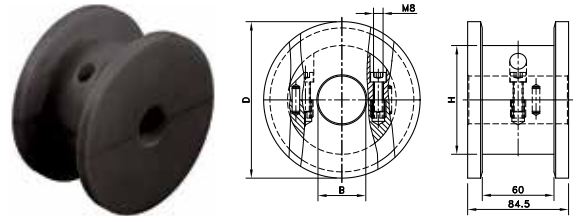
Chain Type	Code Number	Plate Width A		Weight kg/m	Polished Hinge Eyes	Working Load (max.) N
		mm	inch			
<b>66-Series</b>						
66 M 75 RM	767.04.75	190.5	7.50	5.14	yes	7000

Standard length: 3.048 m - 10 feet (80 links).  
Sideflex radius min. 860 mm.

## SS/SI 75



## SD 75



### Split Sprockets And Idlers, Machined - SS/SI 75

#### Sprockets, Metric Bores

SS 75 21-25	753.63.61	21	25	129.3	130.0	55.0	55.0	-
SS 75 21-30	753.63.62	21	30					
SS 75 21-35	753.63.63	21	35					
SS 75 21-40	753.63.64	21	40					
SS 75 21-50	753.63.65	21	50					
SS 75 25-25	753.63.81	25	25	153.2	153.9	55.0	55.0	-
SS 75 25-30	753.63.82	25	30					
SS 75 25-35	753.63.83	25	35					
SS 75 25-40	753.63.84	25	40					
SS 75 25-50	753.63.85	25	50					

#### Idlers, Metric Bores

SI 75 21-25	753.63.11	21	25	129.3	130.0	55.0	55.0	-
SI 75 21-30	753.63.12	21	30					
SI 75 21-35	753.63.13	21	35					
SI 75 21-40	753.63.14	21	40					
SI 75 21-50	753.63.15	21	50					
SI 75 25-25	753.63.31	25	25	153.2	153.9	55.0	55.0	-
SI 75 25-30	753.63.32	25	30					
SI 75 25-35	753.63.33	25	35					
SI 75 25-40	753.63.34	25	40					
SI 75 25-50	753.63.35	25	50					

For steel chain series: MCC: straight run heavy duty, heavy duty Magnetflex

### Split Idler Drums, Machined - SD 75

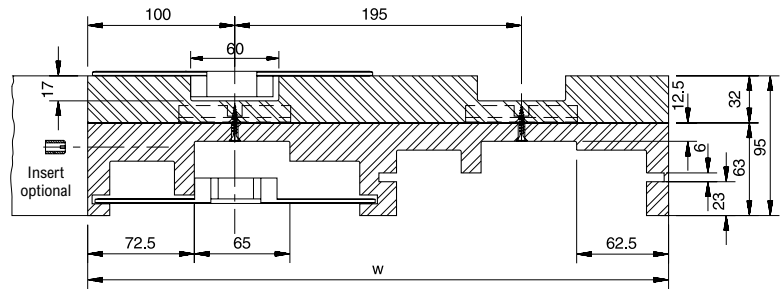
#### Metric Bores

SD 75 131-20	754.10.46	21	20	129.3	131.0	84.5	84.5	91
SD 75 131-25	754.10.47	21	25					
SD 75 131-30	754.10.48	21	30					
SD 75 131-35	754.10.49	21	35					
SD 75 131-40	754.10.50	21	40					
SD 75 131-50	754.10.51	21	50	153.2	155.0	84.5	84.5	115
SD 75 155-20	754.12.86	25	20					
SD 75 155-25	754.12.87	25	25					
SD 75 155-30	754.12.88	25	30					
SD 75 155-35	754.12.89	25	35					
SD 75 155-40	754.12.90	25	40					
SD 75 155-50	754.12.91	25	50					

For steel chain series: MCC: straight run heavy duty, heavy duty Magnetflex.

For plastic chain series: HDS, HDFM.

## Magnetflex Combi-A Version C81



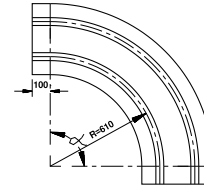
Number of Tracks	1	2	3	4
Width W	200 mm	395 mm	590 mm	785 mm

### Version C81

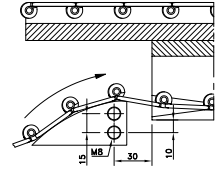
15°	724.31.16	724.31.17	724.31.18	724.31.19
30°	724.31.31	724.31.32	724.31.33	724.31.34
45°	724.31.46	724.31.47	724.31.48	724.31.49
60°	724.31.61	724.31.62	724.31.63	724.31.64
75°	724.31.76	724.31.77	724.31.78	724.31.79
90°	724.31.01	724.31.02	724.31.03	724.31.04

More than 4 tracks on request.

• For plastic chains: HDFM 750 XL/SG.

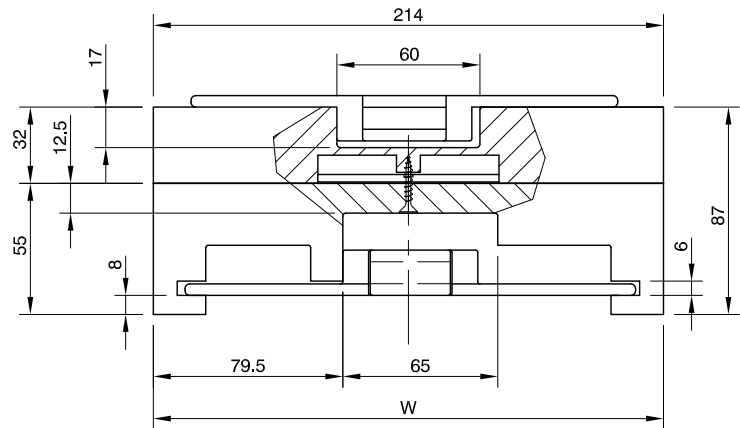


Radius



Return guide shoe

## Magnetflex Combi-A Version C86



Number of Tracks	1
Width W	214 mm

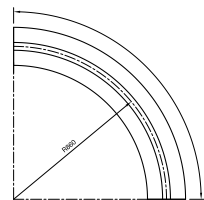
### Version C86

15°	724.36.16
30°	724.36.31
45°	724.36.46
60°	724.36.61
75°	724.36.76
90°	724.36.01

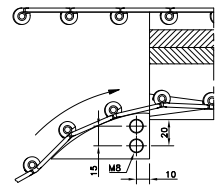
More than 1 track on request.

• For steel chains: 60/66 M 75 M, 66 M 75 RM.

• For plastic chains: HDFM 750 XL/SG.



Radius



Return guide shoe