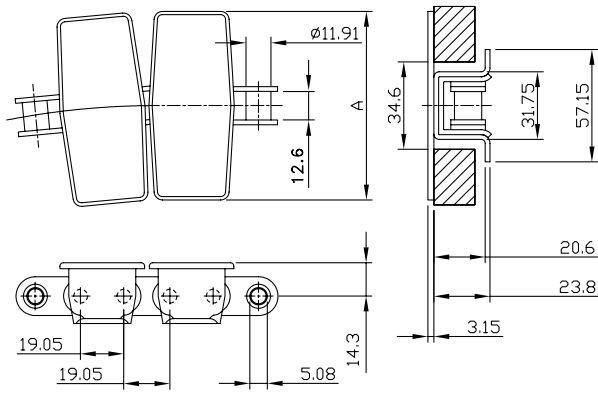


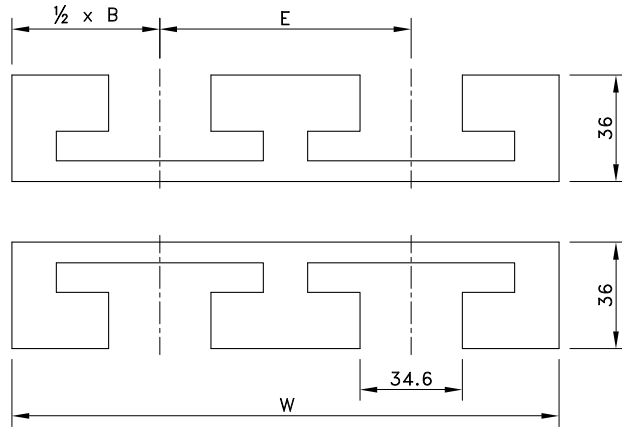
Sideflex 3/4" Pitch Tab Steel Top Plate



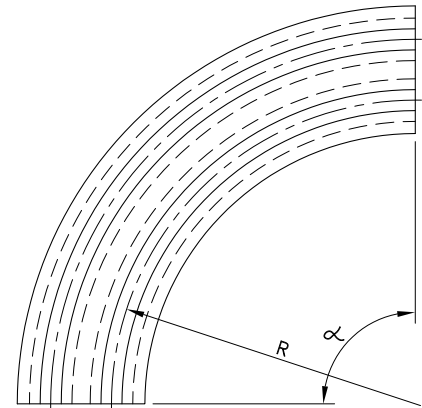
| Chain Type | Code Number | Plate Width A | | Weight kg/m | Loose Top Plate Code Number | Working Load (max.) N (21°C) | Sideflex Radius (min) mm | Connection Link | |
|---|--------------|------------------|------|----------------|-----------------------------------|---------------------------------------|-----------------------------------|--------------------|-------------|
| | | mm | inch | | | | | Type | Code Number |
| Steel Top Plate/Steel Base Chain | | | | | | | | | |
| 1874 TAB-K325 | 1874K3-1/4 | 82.5 | 3.25 | 4.20 | 114-130-1 | 4500 | 381 | CL-63 | 36742 |
| 1874 TAB-K450 | 1874K4-1/2 | 114.3 | 4.50 | 4.80 | 114-130-2 | | 381 | | |
| 1874 TAB-K600 | 1874K6 | 152.4 | 6.00 | 5.70 | 114-130-6 | | 457 | | |
| 1874 TAB-K750 | 1874K7-1/2 | 190.5 | 7.50 | 6.40 | 114-130-3 | | 610 | | |
| Stainless Steel Top Plate/Stainless Steel Base Chain | | | | | | | | | |
| 1874 TAB SS-K325 | 1874SSK3-1/4 | 82.5 | 3.25 | 4.20 | 114-130-4 | 3400 | 381 | CL-63 SS | 36747 |
| 1874 TAB SS-K450 | 1874SSK4-1/2 | 114.3 | 4.50 | 4.80 | 114-130-5 | | 381 | | |
| 1874 TAB SS-K600 | 1874SSK6 | 152.4 | 6.00 | 5.70 | 114-130-8 | | 457 | | |
| 1874 TAB SS-K750 | 1874SSK7-1/2 | 190.5 | 7.50 | 6.40 | 114-130-7 | | 610 | | |

Standard length: 3.048 m – 10 feet (160 links).
Min. backflex radius 254 mm.

KTU 300 For PlateTop Chains



| Number of Tracks | 1 | 2 | 3 | Pitch E | Basic Width B | Radius R |
|------------------------|-----------|-----------|-----------|------------------------|---------------|----------|
| | | | | mm | mm | mm |
| Version KTU 313 | | | | | | |
| Width W | 100 mm | 190 mm | 280 mm | For 3.25" wide chains | | |
| 15° | 787.09.13 | 787.09.14 | 787.09.15 | 90 | 100 | 500 |
| 30° | 787.09.19 | 787.09.20 | 787.09.21 | | | |
| 45° | 787.09.25 | 787.09.26 | 787.09.27 | | | |
| 60° | 787.09.31 | 787.09.32 | 787.09.33 | | | |
| 75° | 787.09.37 | 787.09.38 | 787.09.39 | | | |
| 90° | 787.01.13 | 787.01.14 | 787.01.15 | | | |
| Version KTU 318 | | | | | | |
| Width W | 125 mm | 245 mm | 365 mm | For 4.50" wide chains | | |
| 15° | 787.09.45 | 787.09.46 | 787.09.47 | 120 | 125 | 500 |
| 30° | 787.09.51 | 787.09.52 | 787.09.53 | | | |
| 45° | 787.07.50 | 787.09.57 | 787.09.58 | | | |
| 60° | 787.09.62 | 787.09.63 | 787.09.64 | | | |
| 75° | 787.09.68 | 787.09.69 | 787.09.70 | | | |
| 90° | 787.01.16 | 787.01.17 | 787.01.18 | | | |
| Version KTU 324 | | | | | | |
| Width W | 160 mm | 320 mm | 480 mm | For 6.00" wide chains | | |
| 15° | 787.09.77 | 787.09.78 | 787.09.79 | 160 | 160 | 610 |
| 30° | 787.09.83 | 787.09.84 | 787.09.85 | | | |
| 45° | 787.09.89 | 787.09.90 | 787.09.91 | | | |
| 60° | 787.09.95 | 787.09.96 | 787.09.97 | | | |
| 75° | 787.10.01 | 787.10.02 | 787.10.03 | | | |
| 90° | 787.01.19 | 787.01.20 | 787.01.21 | | | |
| Version KTU 330 | | | | | | |
| Width W | 200 mm | 395 mm | 590 mm | For 7.50" wide chains | | |
| 15° | 787.10.10 | 787.10.11 | 787.10.12 | 195 | 200 | 610 |
| 30° | 787.10.16 | 787.10.17 | 787.10.18 | | | |
| 45° | 787.10.22 | 787.10.23 | 787.10.24 | | | |
| 60° | 787.10.28 | 787.10.29 | 787.10.30 | | | |
| 75° | 787.10.34 | 787.10.35 | 787.10.36 | | | |
| 90° | 787.01.22 | 787.01.23 | 787.01.24 | | | |
| Version KTU 340 | | | | | | |
| Width W | 260 mm | 520 mm | 780 mm | For 10.00" wide chains | | |
| 15° | 787.10.43 | 787.10.44 | 787.10.45 | 260 | 260 | 610 |
| 30° | 787.10.49 | 787.10.50 | 787.10.51 | | | |
| 45° | 787.04.70 | 787.10.55 | 787.10.56 | | | |
| 60° | 787.10.60 | 787.10.61 | 787.10.62 | | | |
| 75° | 787.10.66 | 787.10.67 | 787.10.68 | | | |
| 90° | 787.01.25 | 787.01.26 | 787.01.27 | | | |
| Version KTU 348 | | | | | | |
| Width W | 310 mm | 620 mm | 930 mm | For 12.00" wide chains | | |
| 15° | 787.10.75 | 787.10.76 | 787.10.77 | 310 | 310 | 610 |
| 30° | 787.10.81 | 787.10.82 | 787.10.83 | | | |
| 45° | 787.10.87 | 787.10.88 | 787.10.89 | | | |
| 60° | 787.10.93 | 787.10.94 | 787.10.95 | | | |
| 75° | 787.10.99 | 787.11.00 | 787.11.01 | | | |
| 90° | 787.01.28 | 787.01.29 | 787.01.30 | | | |



For plate top chains:

- 1873 TAB
- 1874 TAB
- 3873 TAB

The code nr. includes both upper and under part.