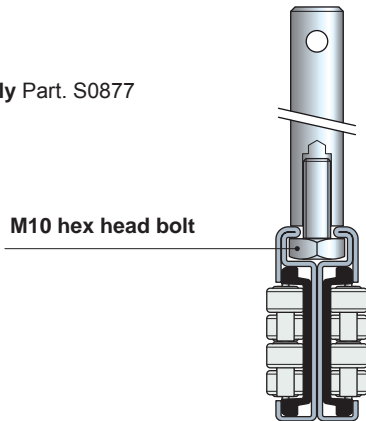


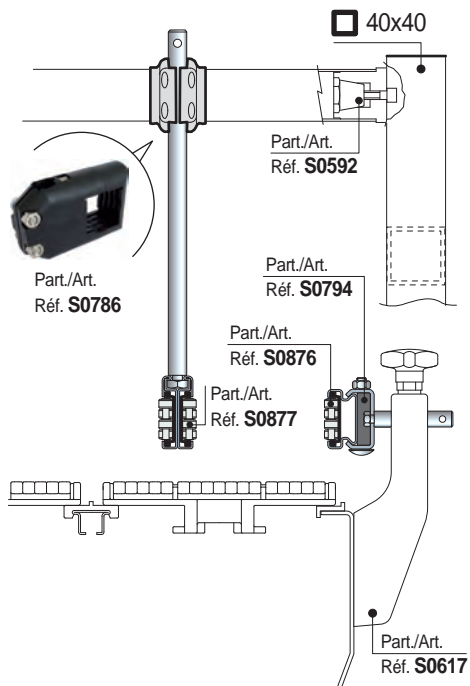
• **Characteristics** Part. S0877

- Self supporting structure.
- Metal Profile in Austenitic stainless steel.
- Quick and easy installation by standard bolts.
- Can be used straight running and sideflexing.

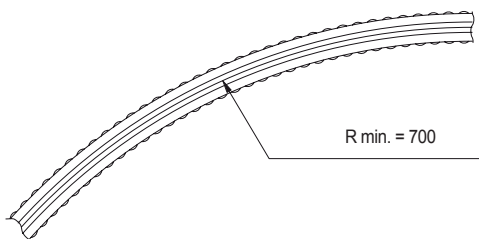
• **Assembly** Part. S0877



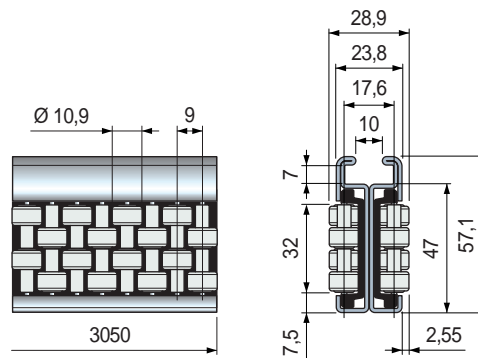
M10 hex head bolt



• **Min. curvature radius** Part. S0877



■ **Roller centre guides**

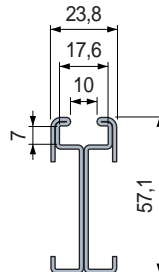


Rollers material	Code	Weight kg
Acetal POM (white)	649403	3,08

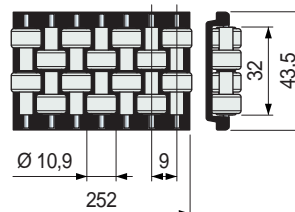
- Material: metal profile in Austenitic stainless steel, rollers module in acetal POM (black), roller pins in stainless steel.
- Standard packaging: strands 3,05 metres.
- Packaging: 2 strands.

The roller side guides can be supplied with separated components.

**Metal profile**

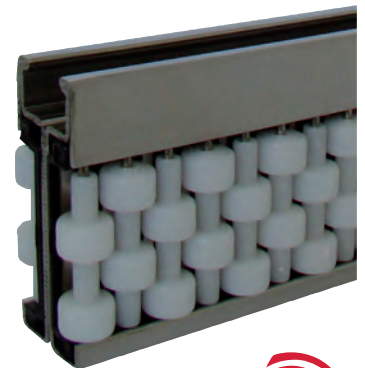


**Roller module**



Length mm	Code	Rollers material	Code
3050	649433	Acetal POM (white)	644673

- Material: Austenitic stainless steel.
- Weight: 2,35 Kg/m.
- Packaging: 1 strand.



- **Best Seller**
- **Standard**
- **On request:** minimum quantity may apply. Consult our Customer Service for availability.

Item code for order = Part. + Code