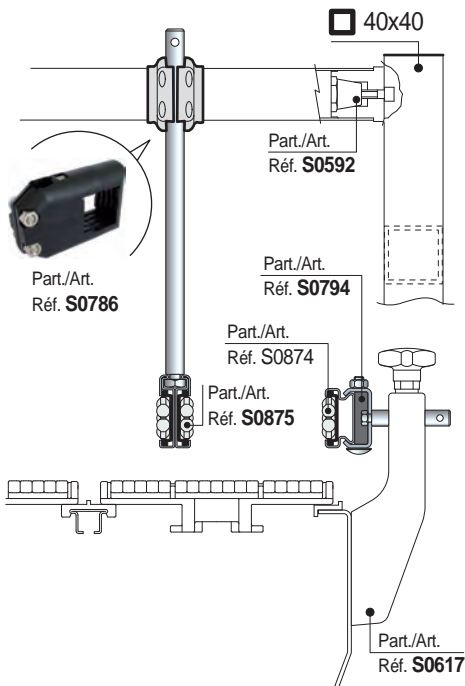
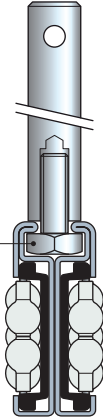


• **Characteristics** Part. S0875

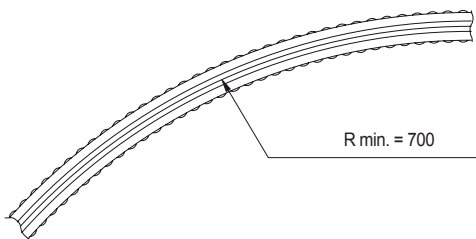
- Self supporting structure.
- Metal Profile in Austenitic stainless steel.
- Quick and easy installation by standard bolts.
- Can be used straight running and sidelifing.

• **Assembly** Part. S0875

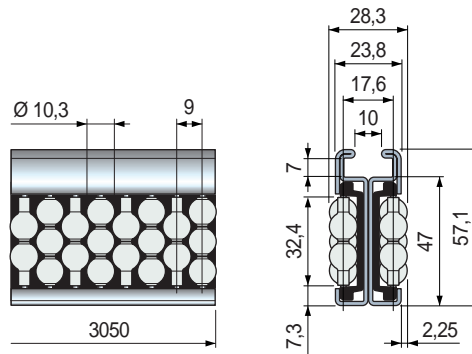
M10 hex head bolt



• **Min. curvature radius** Part. S0875



■ **Pearls roller centre guide**



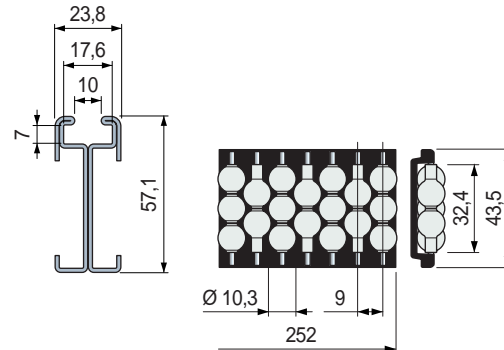
Pearl material	Code	Weight kg
Polyethylene PE (Aubergine)	649373	3,02
Polyethylene PE (white)	649383	

- Material: metal profile in Austenitic stainless steel, rollers module in acetal POM (black), roller pins in stainless steel.
- Standard packaging: strands 3,05 metres.
- Packaging: 2 strands.

The roller side guides can be supplied with separated components.

Metal profile

Pearls module



Length mm	Code	Materiale Perle™	Code
3050	649433	Polyethylene PE (Aubergine)	644653
		Polyethylene PE (white)	644633

- Material: Austenitic stainless steel.
- Weight: 2,35 Kg/m.
- Packaging: 1 strand.

Part. S0875



- **Best Seller**
- **Standard**
- **On request:** minimum quantity may apply. Consult our Customer Service for availability.

Item code for order = Part. + Code