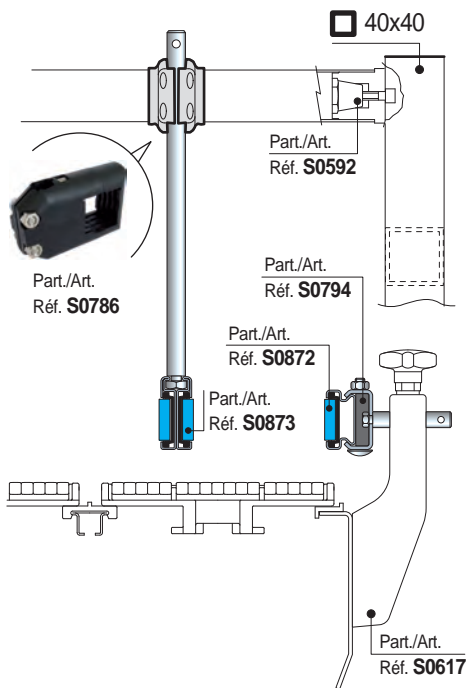
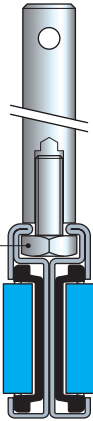


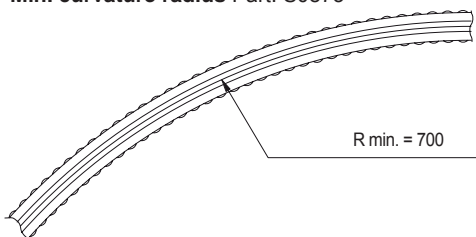
- **Characteristics** Part. S0873
  - Self supporting structure.
  - Metal Profile in Austenitic stainless steel.
  - Quick and easy installation by standard bolts.
  - Can be used straight running and sidelifing.

• **Assembly** Part. S0873

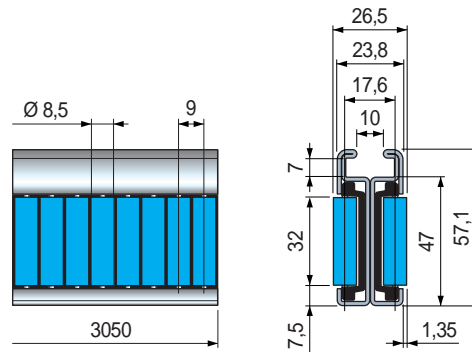
M10 hex head bolt



• **Min. curvature radius** Part. S0873



■ **Centre guide with cylinder rollers**



Cylinder rollers material      Code      Weight kg

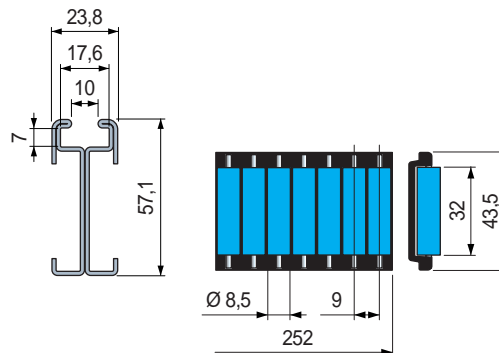
SEBS Rubber (Blue)	<b>649343</b>	3,10
--------------------	---------------	------

- Material: metal profile in Austenitic stainless steel, rollers module in acetal POM (black), roller pins in stainless steel.
- Standard packaging: strands 3,05 metres.
- Packaging: 2 strands.

The roller side guides can be supplied with separated components.

**Metal profile**

**Cylinder roller module**



Length mm      Code      Cylinder rollers material      Code

3050	<b>649433</b>	SEBS Rubber (Blue)	<b>646523</b>
------	---------------	--------------------	---------------

- Material: Austenitic stainless steel.
- Weight: 2,35 Kg/m.
- Packaging: 1 strand.



- **Best Seller**
- **Standard**
- **On request:** minimum quantity may apply. Consult our Customer Service for availability.

Item code for order = Part. + Code