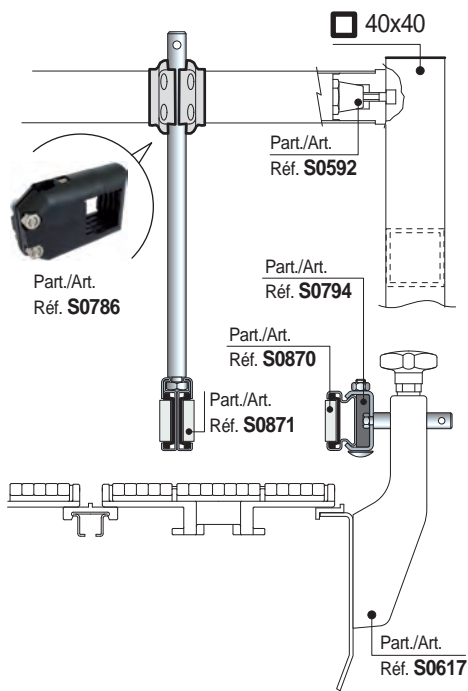
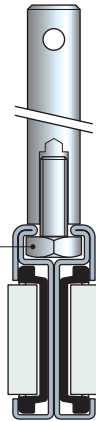


• **Characteristics** Part. S0871

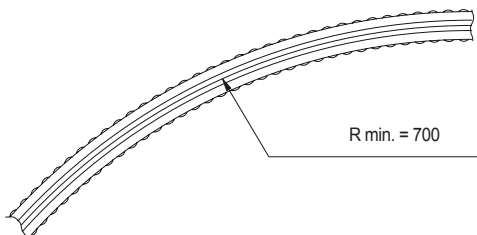
- Self supporting structure.
- Metal Profile in Austenitic stainless steel.
- Quick and easy installation by standard bolts.
- Can be used straight running and sideliflexing.

• **Assembly** Part. S0871

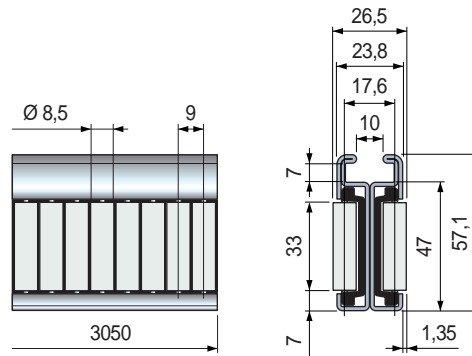
M10 hex head bolt



• **Min. curvature radius** Part. S0871



■ **Centre guide with cylinder rollers**



Cylinder rollers material

Code

Weight kg

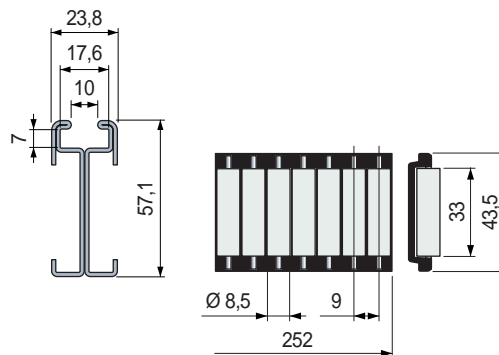
Polyethylene PE (white)	649323	3,10
-------------------------	---------------	------

- Material: metal profile in Austenitic stainless steel, rollers module in acetal POM (black), roller pins in stainless steel.
- Standard packaging: strands 3,05 metres.
- Packaging: 2 strands.

The roller side guides can be supplied with separated components.

Metal profile

Cylinder roller module



Length mm

Code

Cylinder rollers material

Code

3050 **649433**

Polyethylene PE (white) **644613**

- Material: Austenitic stainless steel.
- Weight: 2,35 Kg/m.
- Packaging: 1 strand.

● **Best Seller**

● **Standard**

● **On request:** minimum quantity may apply. Consult our Customer Service for availability.

Item code for order = Part. + Code

