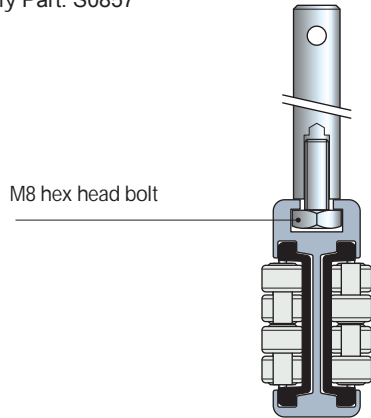


- Characteristics Part. S0857
  - Self supporting structure.
  - Anodized aluminium profile.
  - Quick and easy installation by standard bolts.
  - Can be used straight running and sideflexing.

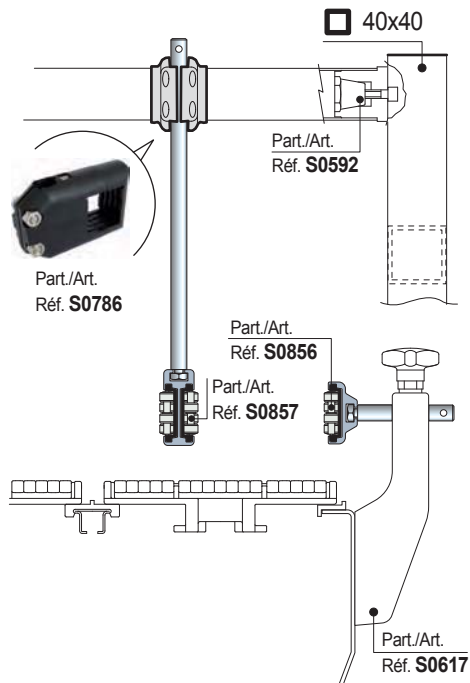
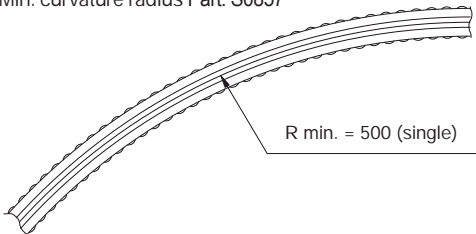
- Assembly Part. S0857



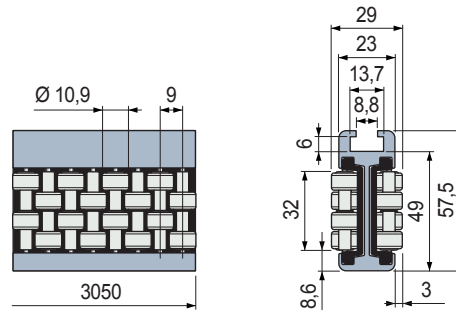
- Accessories
  - Part. S0369 - Connecting bar



- Min. curvature radius Part. S0857



## Roller centre guides



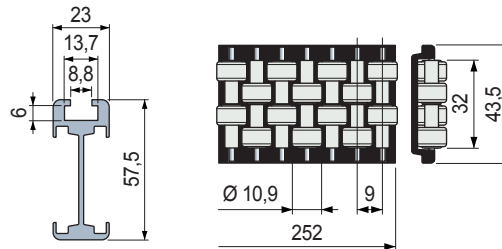
Rollers material	Code	Weight kg
Acetal POM (white)	645223	1,75

- Material: metal profile in anodized aluminium, rollers module in acetal POM (black), roller pins in stainless steel.
- Standard packaging: strands 3,05 metres.
- Packaging: 2 strands.

The roller side guides can be supplied with separated components.

### Metal profile

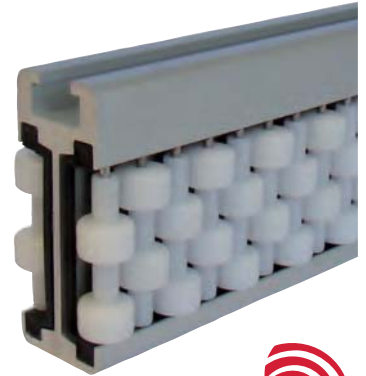
### Roller module



Length mm	Code	Rollers material	Code
3050	607893	Acetal POM (white)	644673
6100	607903		

- Material: anodized aluminium.
- Weight: 1,08 Kg/m.
- Packaging: 1 strand.

## Part. S0857

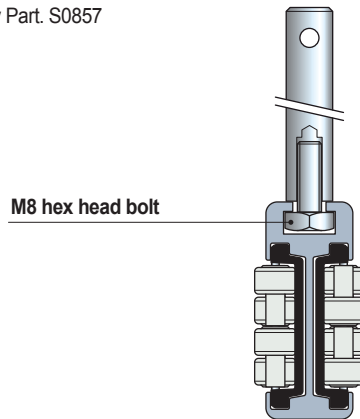


- Best Seller
- Standard
- On request: minimum quantity may apply. Consult our Customer Service for availability.

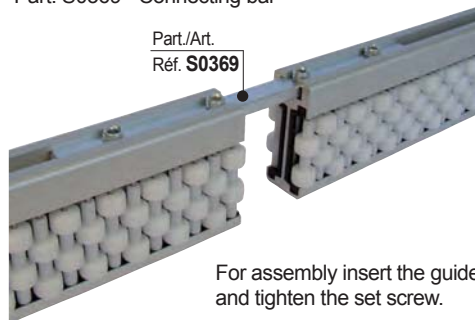
Item code for order = Part. + Code

- **Characteristics** Part. S0857
  - Self supporting structure.
  - Anodized aluminium profile.
  - Quick and easy installation by standard bolts.
  - Can be used straight running and sideliflexing.

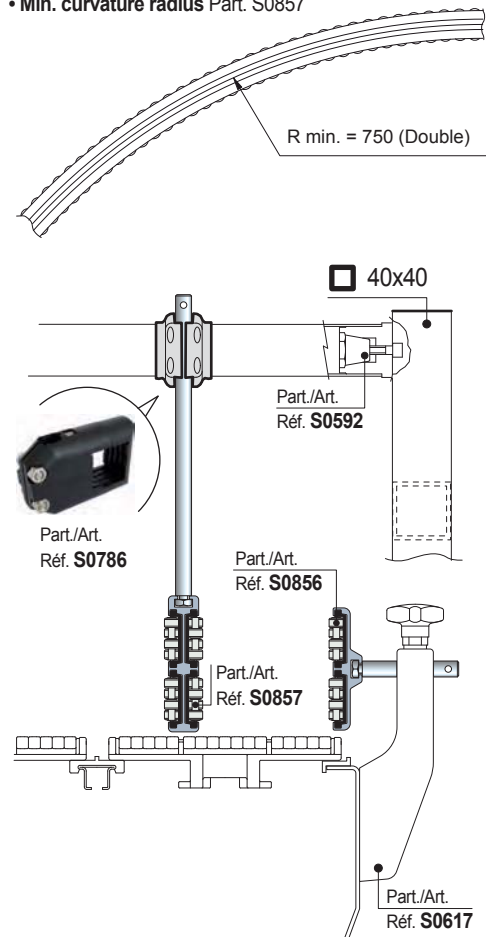
• **Assembly** Part. S0857



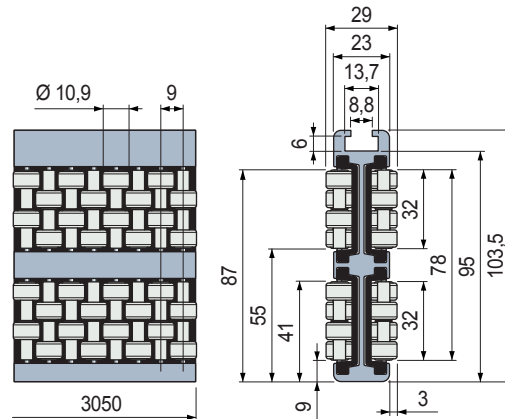
• **Accessories**  
Part. S0369 - Connecting bar



• **Min. curvature radius** Part. S0857



■ **Roller centre guides**

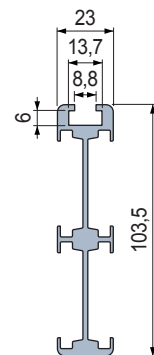


Rollers material	Code	Weight kg
Acetal POM (white)	645233	3,00

- Material: metal profile in anodized aluminium, rollers module in acetal POM (black), roller pins in stainless steel.
- Standard packaging: strands 3,05 metres.
- Packaging: 2 strands.

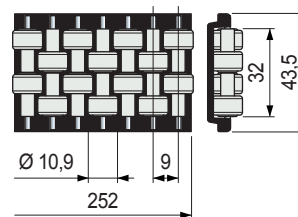
The roller side guides can be supplied with separated components.

**Metal profile**



Length mm	Code
3050	607913
6100	607923

**Roller module**



Rollers material	Code
Acetal POM (white)	644673

- Material: anodized aluminium.
- Weight: 1,70 Kg/m.
- Packaging: 1 strand.



- **Best Seller**
- **Standard**
- **On request:** minimum quantity may apply. Consult our Customer Service for availability.

Item code for order = Part. + Code