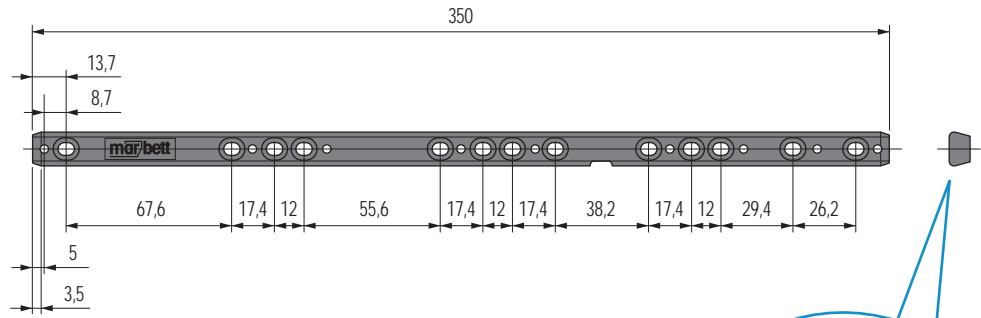


## Part. S0850

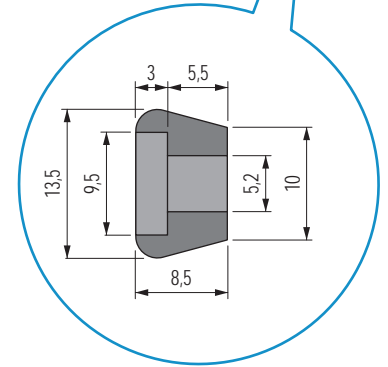


### Assembly bar



	Code	Weight kg
With screws M5 x 10	<b>646713</b>	
With screws M5 x 16	<b>646723</b>	0,04
Without screws	<b>646733</b>	

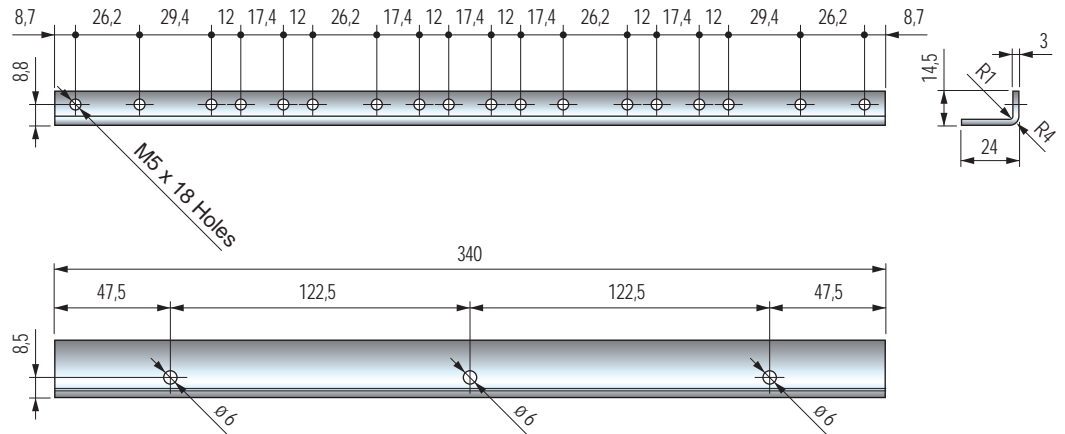
- Material: Reinforced polyamide PAFV special (black).
- The Bar is provided with marks to indicate the cutting positions to obtain the lengths on the following page.
- Packaging: 10 pieces.



## Part. S0864

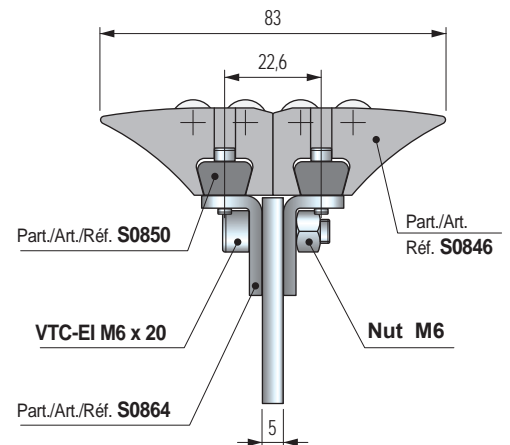


### L Profile



	Code	Weight kg
	<b>646663</b>	0,25

- Material: Profile and M6 screws in austenitic stainless steel, M6 nuts in nickel plated brass.
- Packaging: 2 pieces.



● Best Seller

● Standard

● On request: minimum quantity may apply. Consult our Customer Service for availability.

Item code for order = Part. + Code