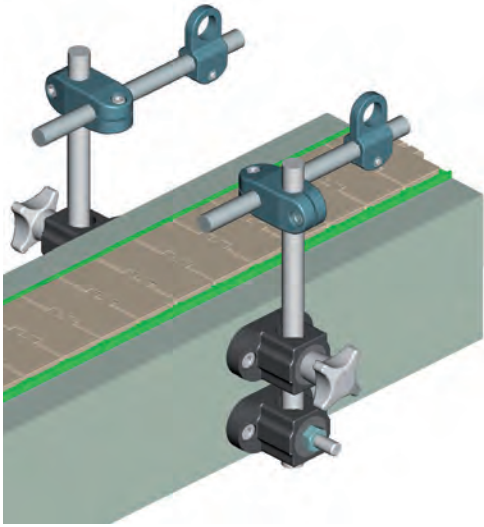


- **T - clamp** Part. S0763
Available with nut or tightening knob.



- Can be used in combination with cross clamps Part. S0661 and S0732

Part./Art./Réf. **S0661**

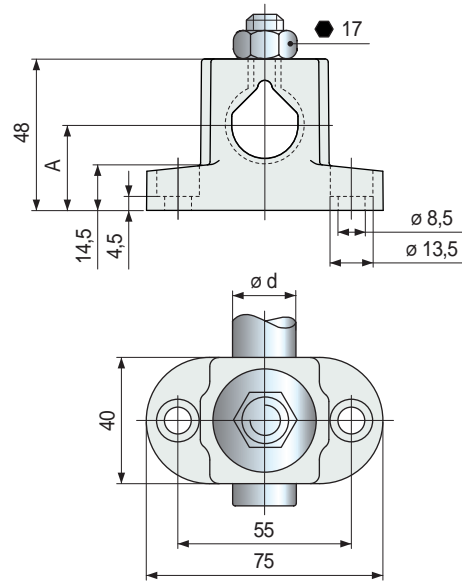


Part./Art./Réf. **S0732**

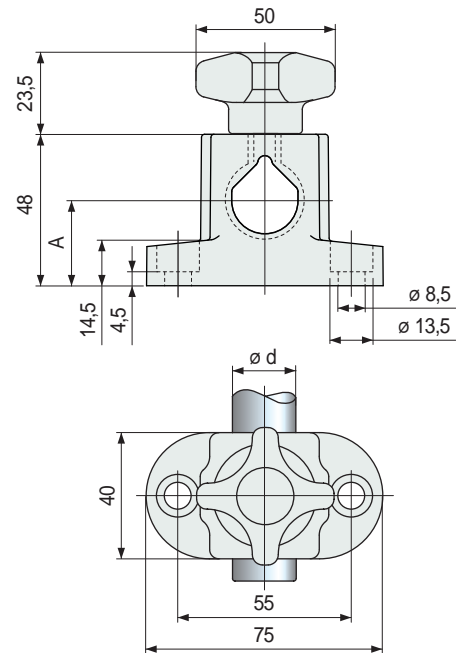


T - clamp with eyebolt

With nut



With knob



Version	Rod dia.		Code	Weight kg
	d mm	A mm		
with nut	12	32,7	610093	0,09
	14	31,2	610103	
	16	29,8	610113	
	18	28,4	610183	
	20	27	610123	
with knob	12	32,7	610593	0,12
	14	31,2	610603	
	16	29,8	610613	
	18	28,4	610623	
	20	27	610633	

- Material: clamp and knob in reinforced polyamide PA FV (black). Threaded insert in nickel plated brass, nut, washer and eyebolt in austenitic stainless steel.
- Max recommended tightening torque: 4 Kgm.
- Packaging: 25 pieces.

- **Best Seller**
- **Standard**
- **On request:** minimum quantity may apply. Consult our Customer Service for availability.

Item code for order = Part. + Code

Part. **S0763**