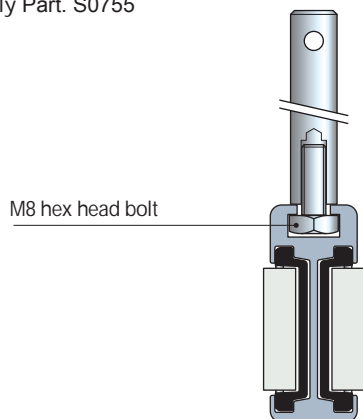


- Characteristics Part. S0755
  - Self supporting structure.
  - Anodized aluminium profile.
  - Quick and easy installation by standard bolts.
  - Can be used straight running and sideliflexing.

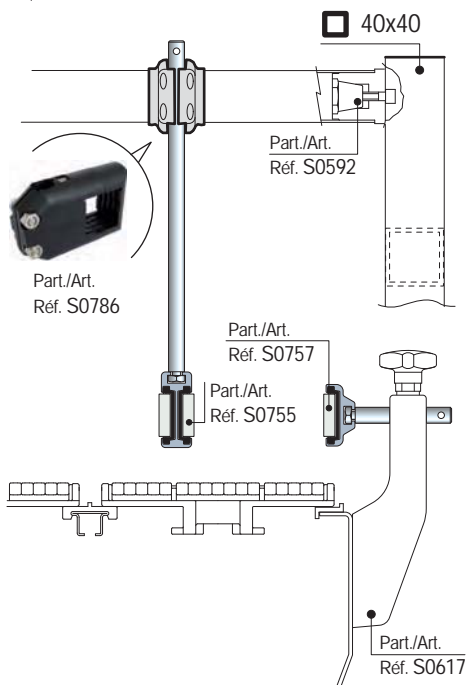
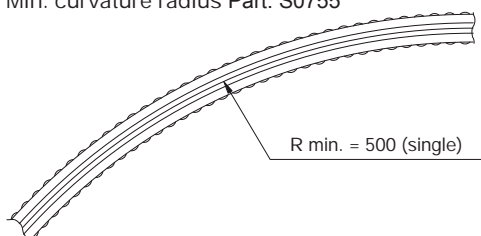
- Assembly Part. S0755



- Accessories
  - Part. S0369 - Connecting bar

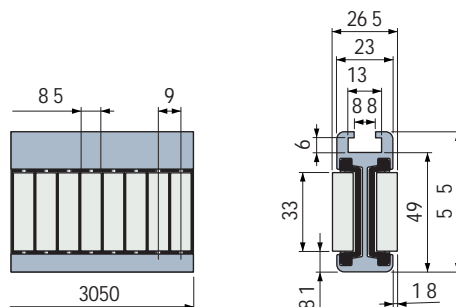


- Min. curvature radius Part. S0755



## Centre guide with cylinder rollers

Part. S0755



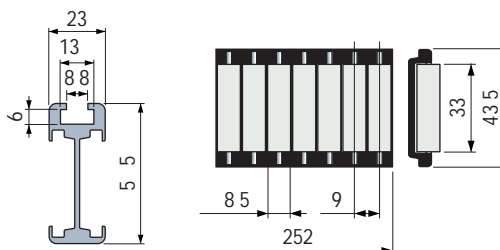
Cylinder rollers material	Code	Weight kg
Polyethylene PE (white)	645103	1,75

- Material: metal profile in anodized aluminium, rollers module in acetal POM (black), roller pins in stainless steel.
- Standard packaging: strands 3,05 metres.
- Packaging: 2 strands.

The roller side guides can be supplied with separated components.

### Metal profile

### Cylinder roller module



Length mm	Code	Cylinder rollers material	Code
3050	607893	Polyethylene PE (white)	644613
6100	607903		

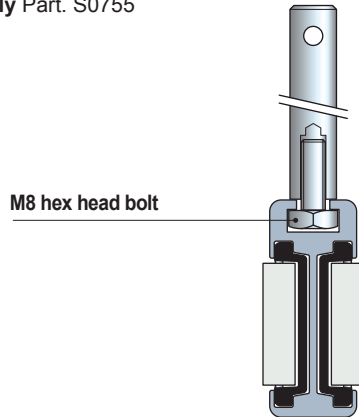
- Material: anodized aluminium.
- Weight: 1,08 Kg/m.
- Packaging: 1 strand.

- Best Seller
- Standard
- On request: minimum quantity may apply. Consult our Customer Service for availability.

Item code for order = Part. + Code

- **Characteristics** Part. S0755
  - Self supporting structure.
  - Anodized aluminium profile.
  - Quick and easy installation by standard bolts.
  - Can be used straight running and sideliflexing.

• **Assembly** Part. S0755



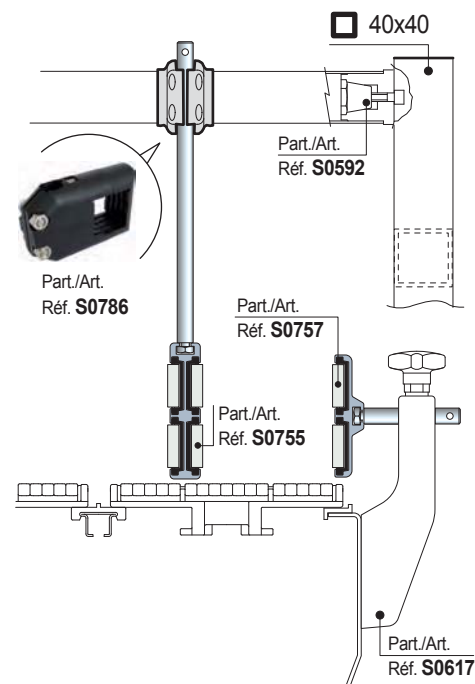
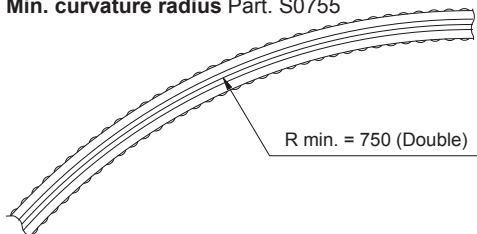
• **Accessories**

Part. S0369 - Connecting bar

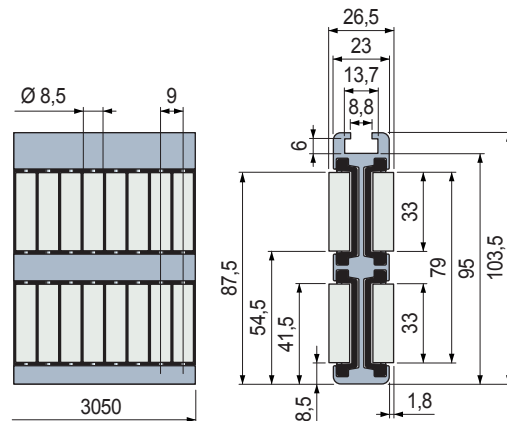


For assembly insert the guides and tighten the set screw.

• **Min. curvature radius** Part. S0755



■ **Centre guide with cylinder rollers**



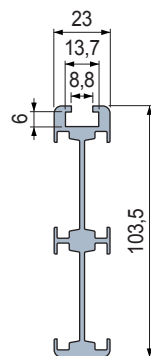
Cylinder rollers material	Code	Weight kg
Polyethylene PE (white)	645113	3,00

- Material: metal profile in anodized aluminium, rollers module in acetal POM (black), roller pins in stainless steel.
- Standard packaging: strands 3,05 metres.
- Packaging: 2 strands.

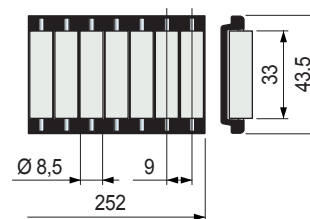


The roller side guides can be supplied with separated components.

**Metal profile**



**Cylinder roller module**



Length mm	Code	Cylinder rollers material	Code
3050	607913	Polyethylene PE (white)	644613
6100	607923		

- Material: anodized aluminium.
- Weight: 1,70 Kg/m.
- Packaging: 1 strand.

● **Best Seller**

● **Standard**

● **On request:** minimum quantity may apply. Consult our Customer Service for availability.

Item code for order = Part. + Code