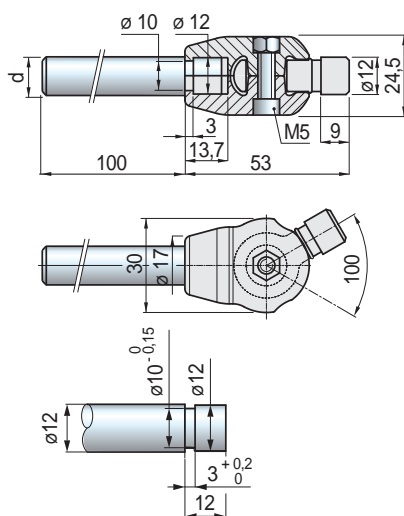


Part. S0739  
Part. S0739P



■ Swivel pin connection



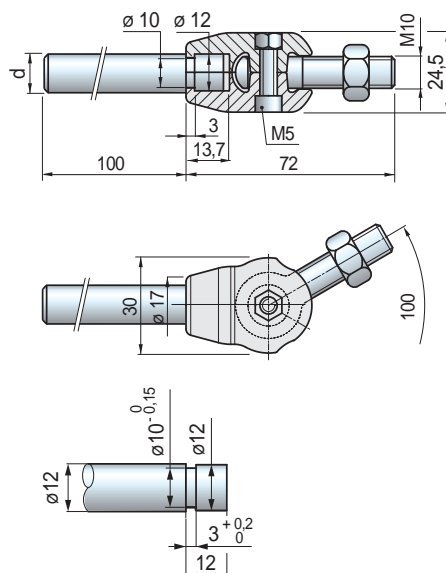
Version	Pin dia. d mm	Code	Weight kg
Without pin	-	S0739695522	0,01
With pin	12	S0739P6025830	0,12

- Material: clamp and eyebolt in reinforced Polyamide PA FV (black).
- Bolt in austenitic stainless steel.
- Nut in nickel plated brass.
- Packaging: 20 pieces.

Part. S0740  
Part. S0740P



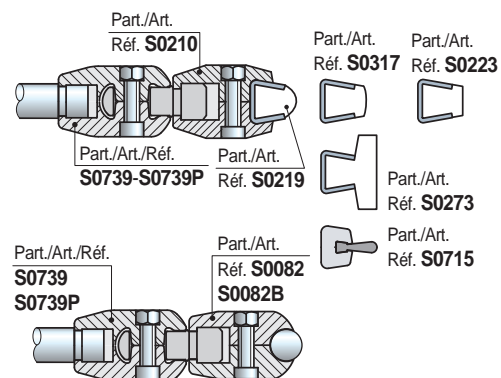
■ Swivel pin connection



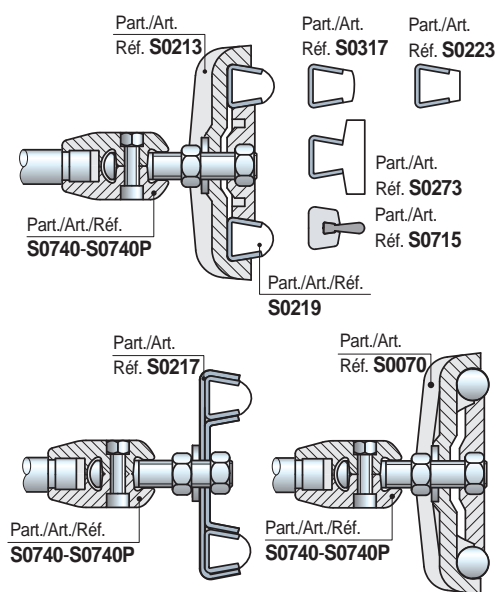
Version	Pin dia. d mm	Code	Weight kg
Without pin	-	S0740695532	0,01
With pin	12	S0740P6025930	0,12

- Material: clamp in reinforced Polyamide PA FV (black).
- Eyebolt and nut in austenitic stainless steel.
- Bolt in austenitic stainless steel.
- Nut in nickel plated brass.
- Packaging: 20 pieces.

• Assembly of Part. S0739 - S0739P

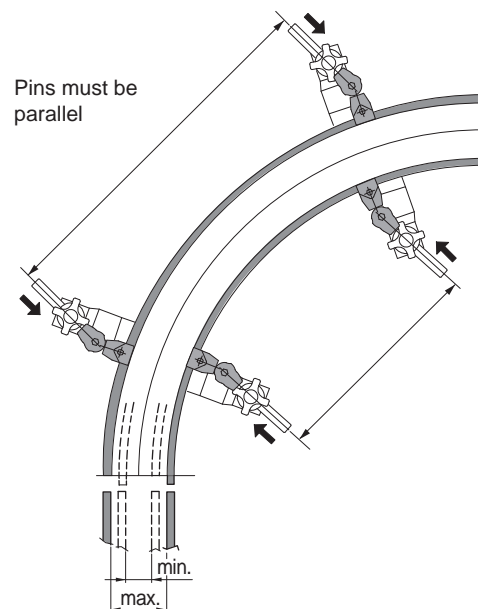


• Assembly of Part. S0740 - S0740P



• Use of Part. S0739 - S0739P - S0740 - S0740P

Use for conveyors with (format change).  
They allow an easy regulation of product-guides on corner tracks.  
To adjust the guide-rail with format change, untighten the knobs of brackets and slide along the "parallel pins" until the required width.



● Best Seller

● Standard

● On request: minimum quantity may apply. Consult our Customer Service for availability.

Item code for order = Part. + Code