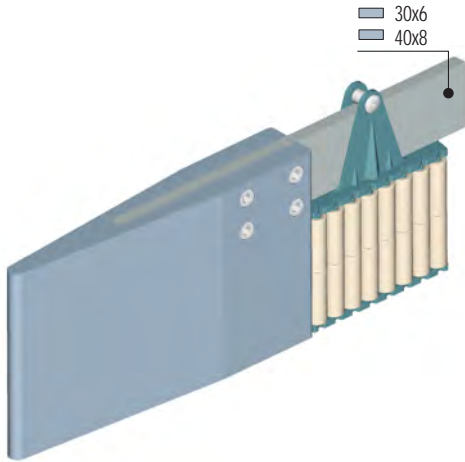
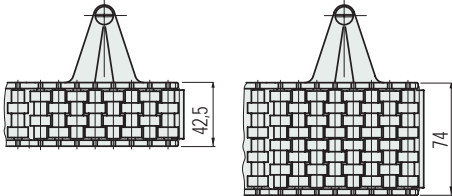


- Use of Part. S0730
Applicable to centre guides
Part. S0557 - S0585 - S0605 - S0721.

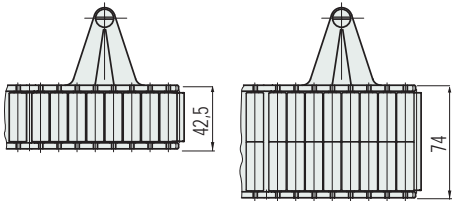


- Types of guides that can be used

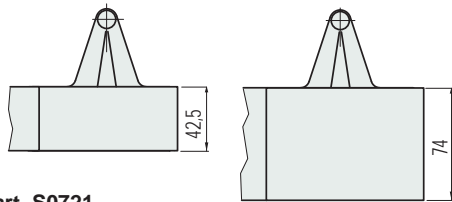
Part. S0557



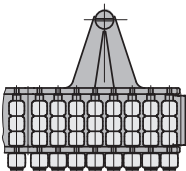
Part. S0585



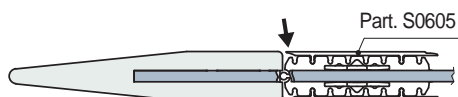
Part. S0605



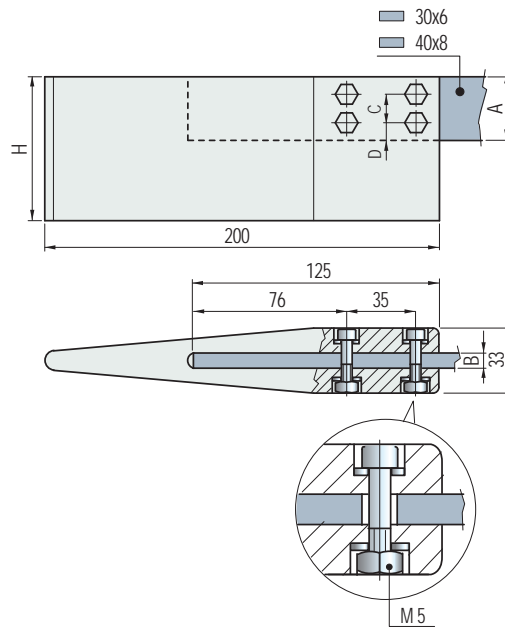
Part. S0721



Guide position (Part. S0605) to allow assembly with separation block.



Divider module



Part. S0730



Plate dimensions		H	C	D	Weight
A x B	Code	mm	mm	mm	Kg

For Part. S0557 - S0585 - S0605 - S0721 (with height 42,5 mm)

30x6	689882	72,5	15	7,5	0,4
40x8	689902	82,5	20	10,5	0,5

For Part. S0557 - S0585 - S0605 (with height 74 mm)

30x6	689892	104	15	7,5	0,6
40x8	689912	114	20	10,5	0,7

- Material: separation block in Polyethylene PE (black). Tightening screw and self-locking nut in austenitic stainless steel.
- Packaging: 2 pieces.

- Best Seller
- Standard
- On request: minimum quantity may apply. Consult our Customer Service for availability.

Item code for order = Part. + Code