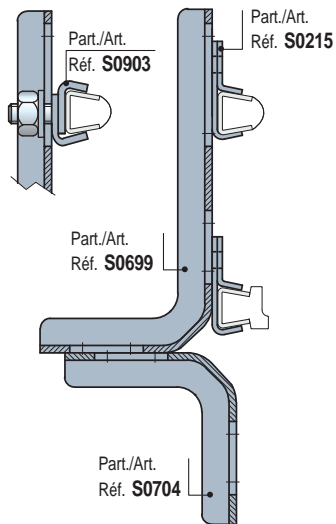
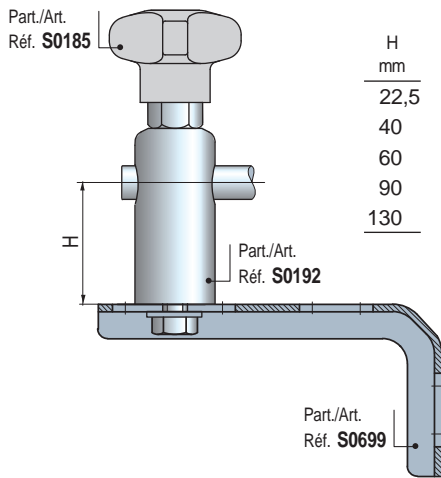
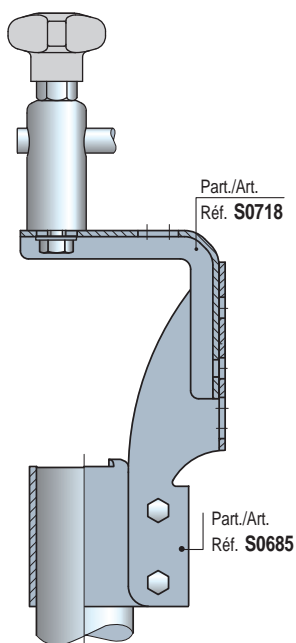


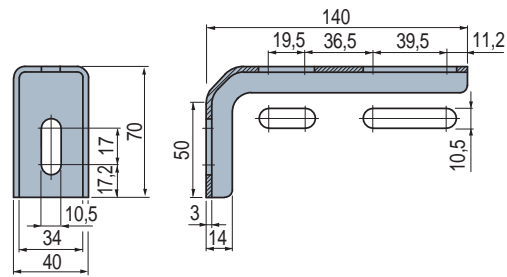
• Use of Part. S0699



• Use of Part. S0718



■ Bracket



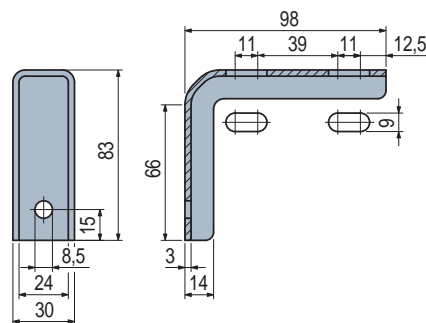
Code	Weight kg
684872	0,23

- Material: austenitic stainless steel.
- Packaging: 16 pieces.

Part. S0699



■ Bracket



Code	Weight kg
687252	0,17

- Material: austenitic stainless steel.
- Packaging: 16 pieces.

Part. S0718



- Best Seller
- Standard
- On request: minimum quantity may apply. Consult our Customer Service for availability.

Item code for order = Part. + Code