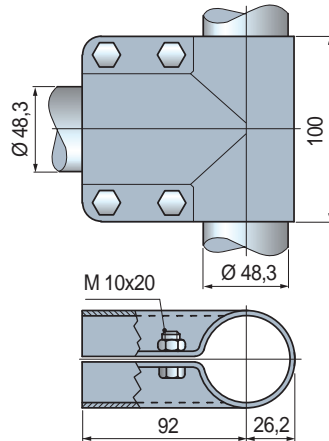


Part. S0686



For tubes Ø 48,3 mm

■ Connecting Joints



Tube dia. mm	State of supply	Code	Weight kg
48,3 (1 1/2")	With bolts	<b>684512</b>	0,64
	Without bolts	<b>684522</b>	

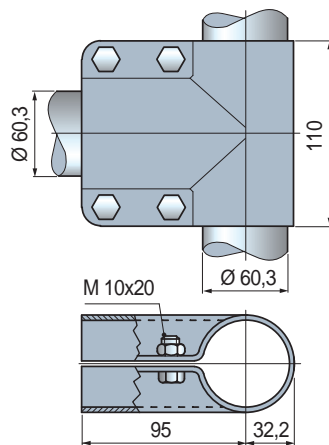
- Material: joint and bolts in austenitic stainless steel.
- Packaging: 4 pieces.

Part. S0687



For tubes Ø 60,3 mm

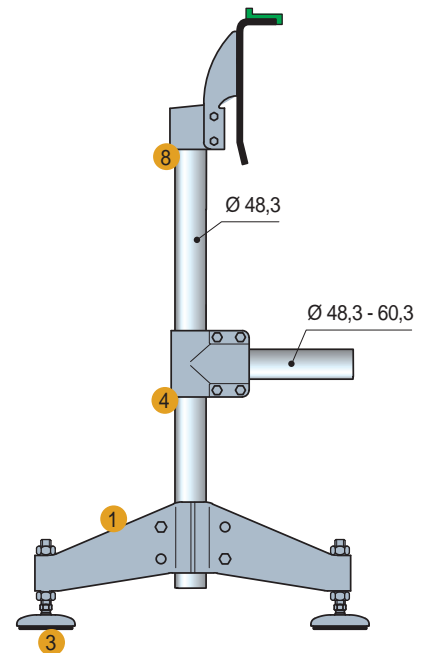
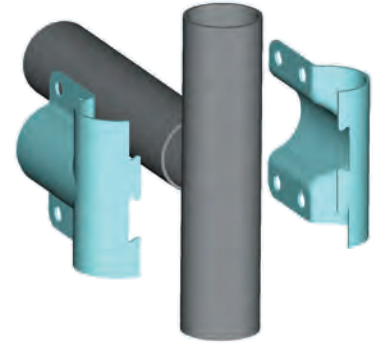
■ Connecting Joints



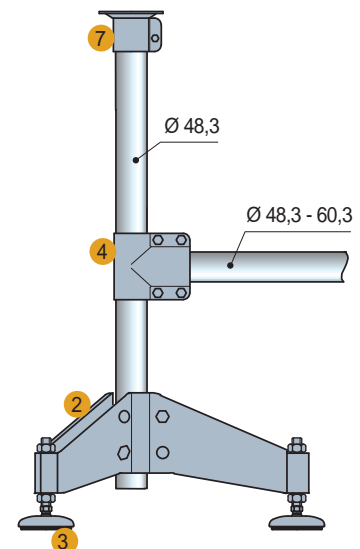
Tube dia. mm	State of supply	Code	Weight kg
60,3 (2")	With bolts	<b>684532</b>	0,70
	Without bolts	<b>684542</b>	

- Material: joint and bolts in austenitic stainless steel.
- Packaging: 4 pieces.

• Assembly Part. S0686 - S0687



- 1 - Part. S0706
- 2 - Part. S0707
- 3 - Part. S0623 - S0627
- 4 - Part. S0686
- 7 - Part. S0690
- 8 - Part. S0685



- Best Seller
- Standard
- On request: minimum quantity may apply. Consult our Customer Service for availability.

Item code for order = Part. + Code