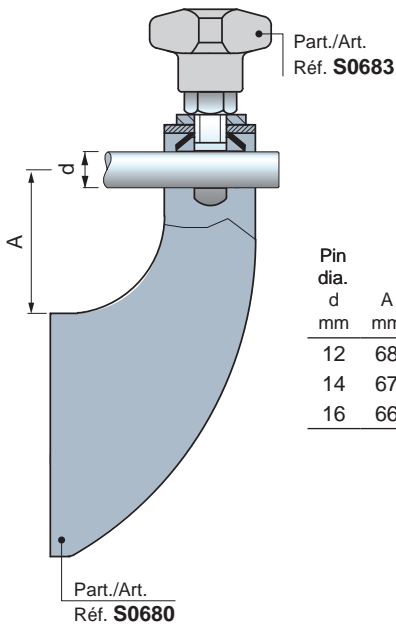
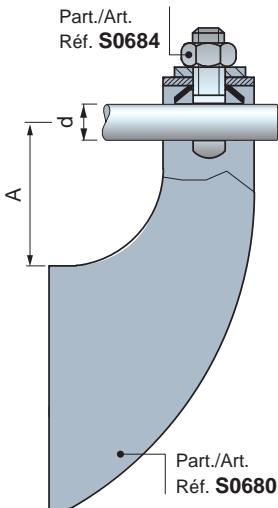


- **Use of Part. S0683**
In combination with brackets Part. S0680.



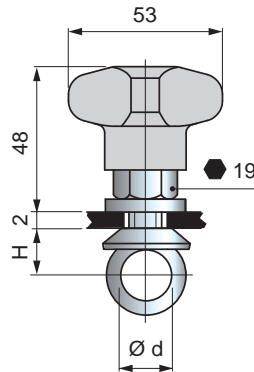
Pin dia. d mm	A mm
12	68
14	67
16	66

- **Use of Part. S0684**
In combination with brackets Part. S0680.



Pin dia. d mm	A mm
12	68
14	67
16	66

■ Eyebolt (with knob)



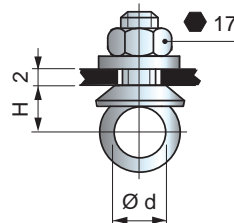
Pin dia. d mm	H mm	Code	Weight kg
12	13	684442	
14	14	684452	0,10
16	15	684462	

- Material: eyebolt and washer in austenitic stainless steel. Knob in reinforced polypropylene PP FV (grey). Hexagonal insert (for 19 mm wrench) in austenitic stainless steel.
- Packaging: 6 pieces.

Part. S0683



■ Eyebolt (with nut)



Pin dia. d mm	H mm	Code	Weight kg
12	13	684472	
14	14	684482	0,06
16	15	684492	

- Material: eyebolt, tightening nut and washer in austenitic stainless steel.
- Packaging: 6 pieces.

Part. S0684



- **Best Seller**
- **Standard**
- **On request:** minimum quantity may apply. Consult our Customer Service for availability.

Item code for order = Part. + Code