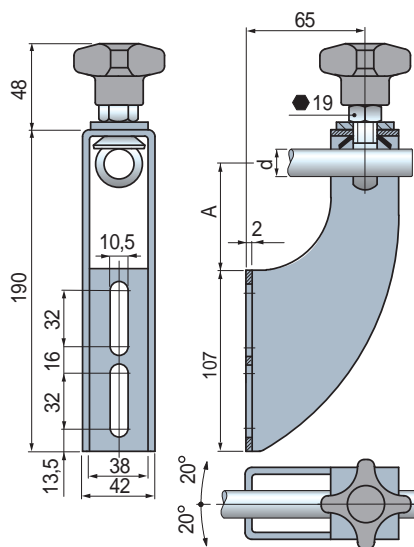


Part. S0682



Adjustable bracket



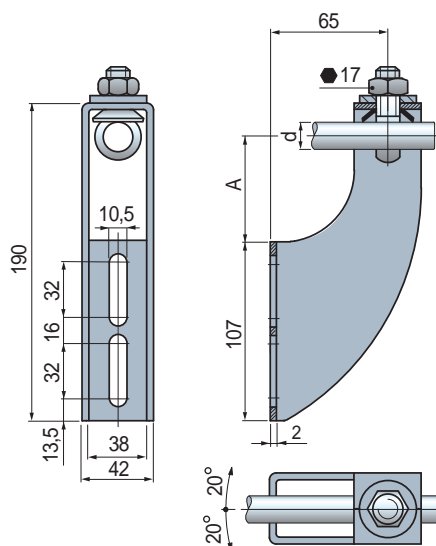
Pin dia. d mm	A mm	Code	Weight kg
12	68	684412	
14	67	684422	0,46
16	66	684432	

- Material: bracket, tightening nut, washer and eyebolt in austenitic stainless steel. Knob in reinforced polypropylene PP FV (grey). Hexagonal insert (for 19 mm wrench) in austenitic stainless steel.
- Packaging: 6 pieces.

Part. S0677



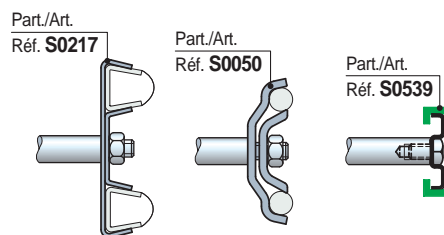
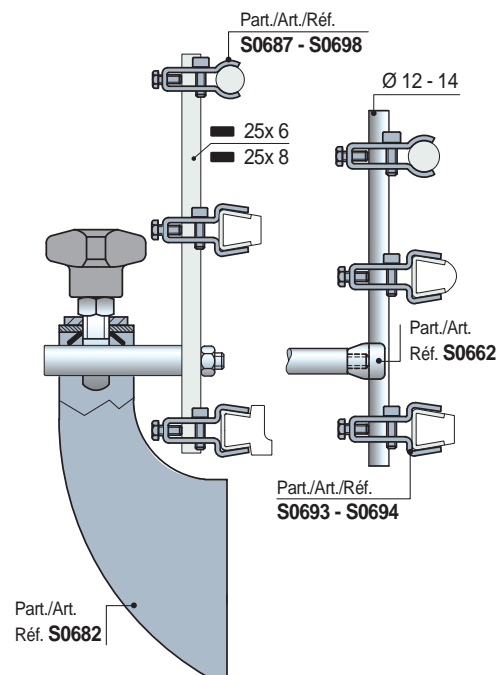
Adjustable bracket



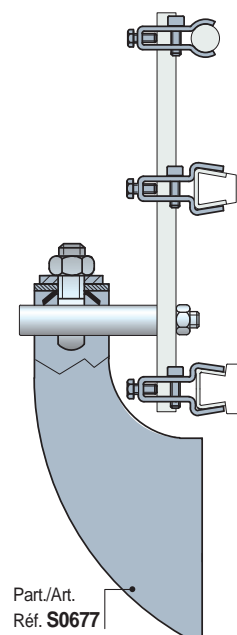
Pin dia. d mm	A mm	Code	Weight kg
12	68	684262	
14	67	684272	0,42
16	66	684282	

- Material: bracket, tightening nut, washer and eyebolt in austenitic stainless steel.
- Packaging: 6 pieces.

Use of Part. S0682



Use of Part. S0677



● Best Seller

● Standard

● On request: minimum quantity may apply. Consult our Customer Service for availability.

Item code for order = Part. + Code