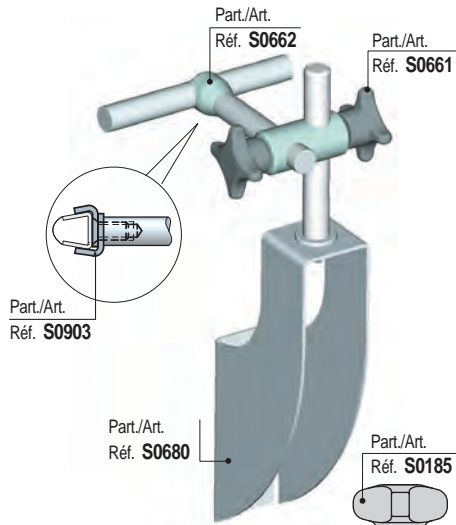
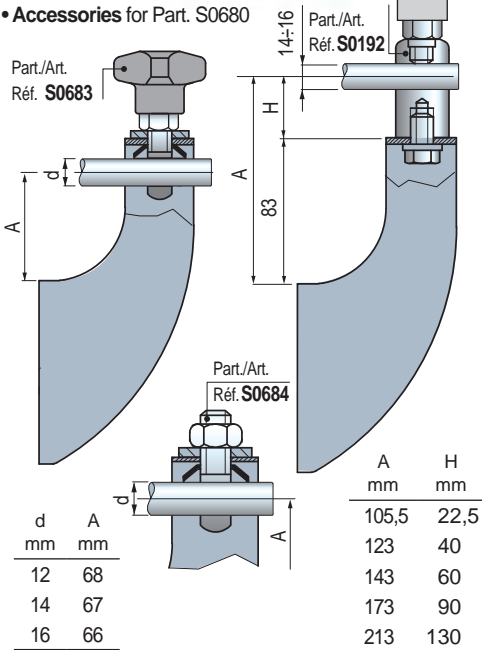


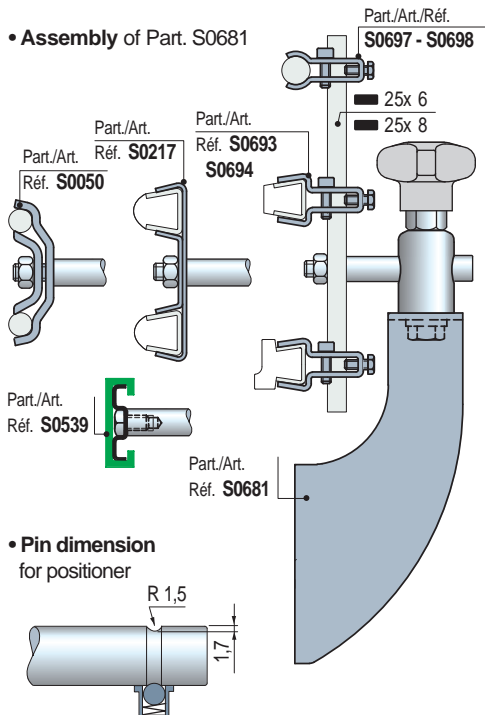
• Assembly of Part. S0680



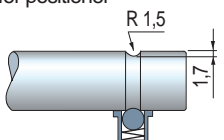
• Accessories for Part. S0680



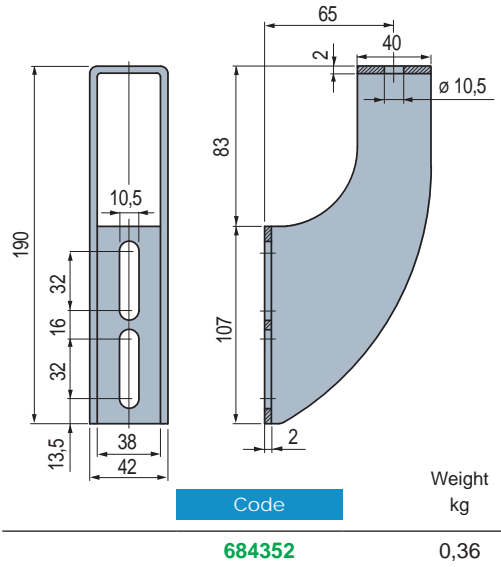
• Assembly of Part. S0681



• Pin dimension for positioner

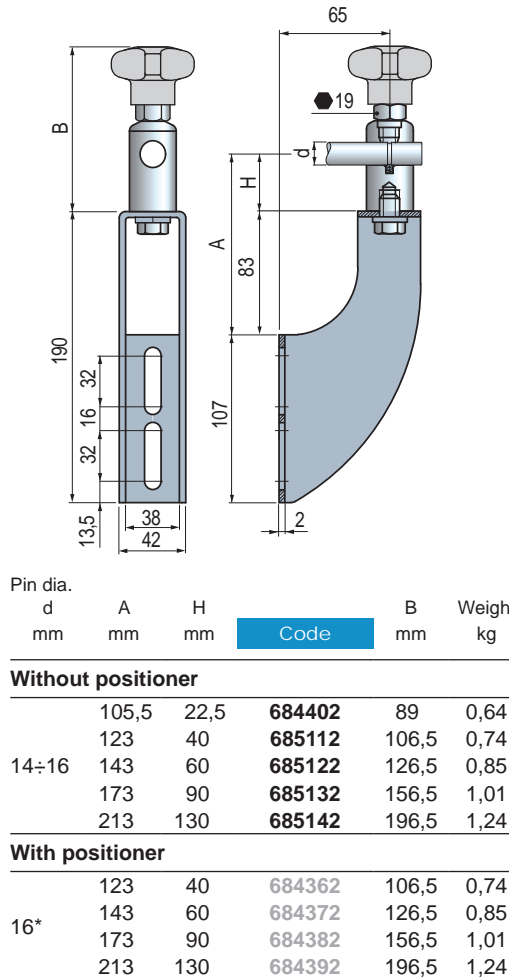


■ Adjustable bracket



- Material: austenitic stainless steel.
- Packaging: 6 pieces.

■ Adjustable bracket



- * = Version with positioner can be used only with dia. 16 mm pins.
- Material: bracket in austenitic stainless steel.
- Swivel head in austenitic stainless steel.
- Knob in reinforced polypropylene PP FV (grey).
- Hexagonal insert (for 19 mm wrench) and bolts in austenitic stainless steel.
- Max recommended tightening torque: 4 Kgm.
- Packaging: 6 pieces.

Part. S0680



Part. S0681



● Best Seller

● Standard

● On request: minimum quantity may apply. Consult our Customer Service for availability.

Item code for order = Part. + Code