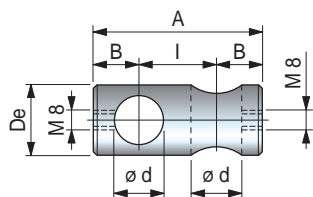


## Part. S0661

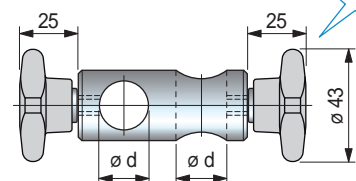


### ■ Cross clamp

#### Version without knobs



#### Version with knobs



Part./Art.  
Réf. S0671

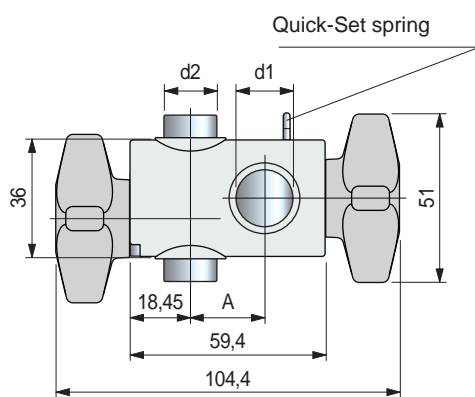
Pin dia. d mm	Code		I mm	A mm	B mm	ø De mm
	Without knobs	With knobs				
10	669112	675712	14	36	11	18
12	669122	675722	16	40	12	20
(1/2")	686022	683802	16	40	12	20
14	669132	675732	18	44	13	20
16	669142	675742	20	48	14	24
18	669152	675752	22	52	15	26
20	669162	675762	24	56	16	28

- Material: clamp in austenitic stainless steel.  
Knob in reinforced polypropylene PP FV (grey).  
Threaded insert in austenitic stainless steel.
- Max recommended tightening torque: 1 Kgm (with knob)  
2 Kgm (with screw).
- Packaging: 24 pieces.

## Part. S0732



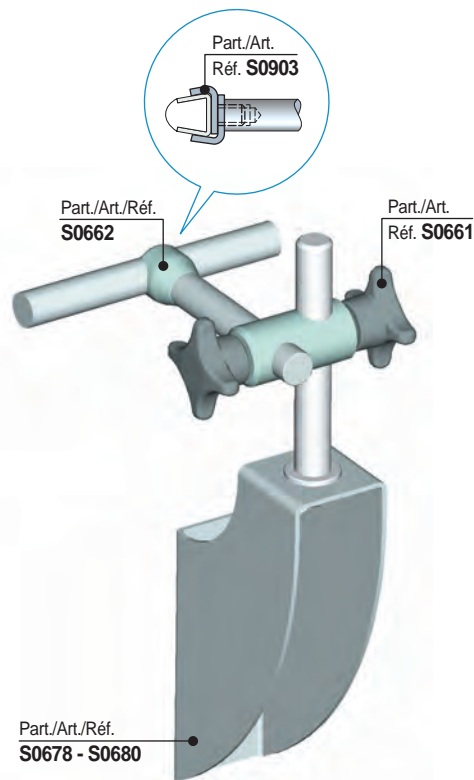
### ■ Cross clamp with Quick-Set



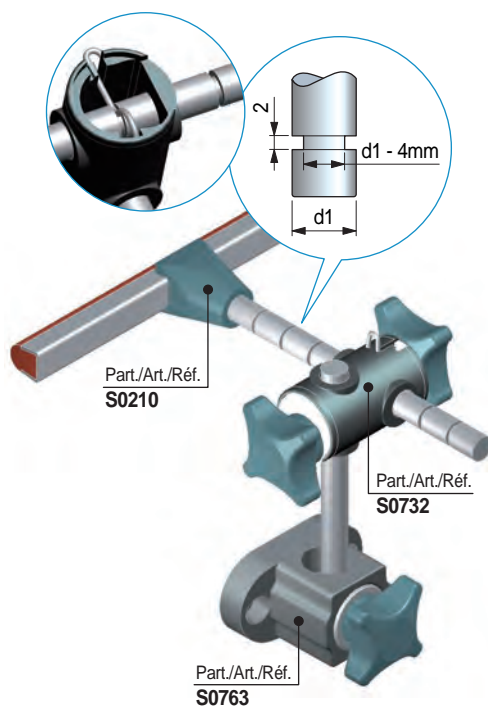
Pin dia. d1 with spring mm	Pin dia. d2 mm	Pin dia. d1 inch	Pin dia. d2 inch	A	Code	Weight kg
12	16	1/2"	5/8"	24,1	692362N	
16	12	5/8"	1/2"	22	638703N	
16	16	5/8"	5/8"	22	692372N	

- Quick-Set spring on one of the two rods.
- Material: clamp and knobs in reinforced polyamide PA FV (black).  
Eyebolts in austenitic stainless steel.
- Max recommended tightening torque: 2 Kgm.
- Packaging: 50 pieces.

### • Use of Part. S0661



### • Use of Part. S0732



● Best Seller

● Standard

● On request: minimum quantity may apply. Consult our Customer Service for availability.

Item code for order = Part. + Code