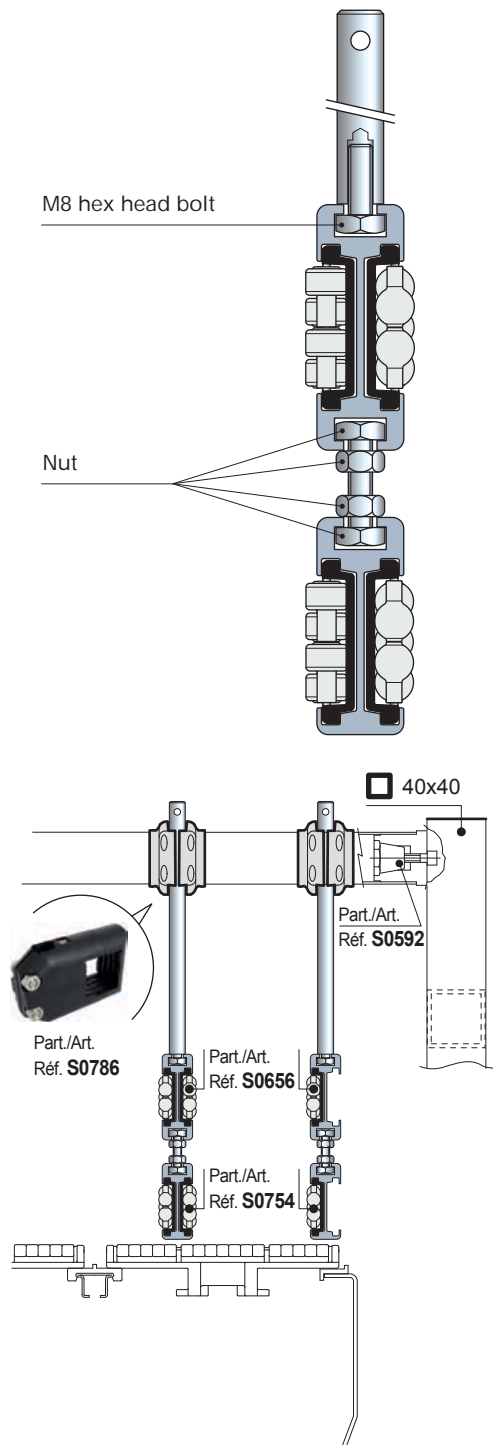


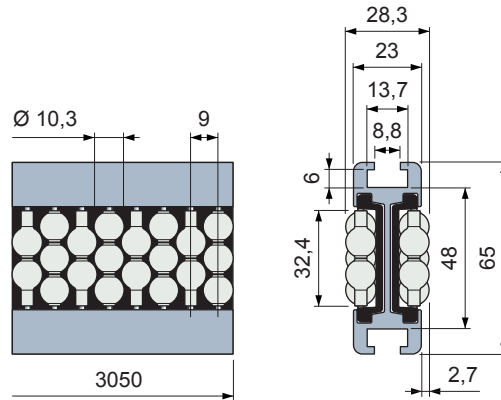
- Accessories
Part. S0369 - Connecting bar



- Fixing



■ Symmetric central guide



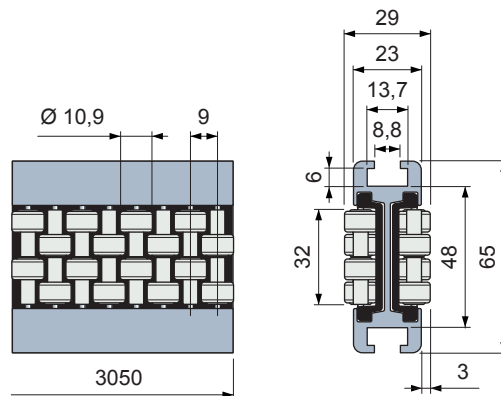
Pearl material	Code	Weight kg/m
Polyethylene PE (Aubergine)	645243	1,91
Polyethylene PE (white)	645253	

- Material: metal profile in anodized aluminium, rollers module in acetal POM (black), roller pins in stainless steel.
- Min. curvature radius: 500 mm.
- Standard packaging: strands 3,05 metres.
- Packaging: 2 strands.

Part. S0656



■ Symmetric central guide



Rollers material	Code	Weight kg/m
Acetal POM (white)	645263	1,96

- Material: metal profile in anodized aluminium, rollers module in acetal POM (black), roller pins in stainless steel.
- Min. curvature radius: 500 mm.
- Standard packaging: strands 3,05 metres.
- Packaging: 2 strands.

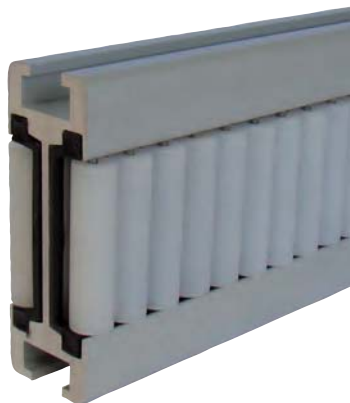
Part. S0656



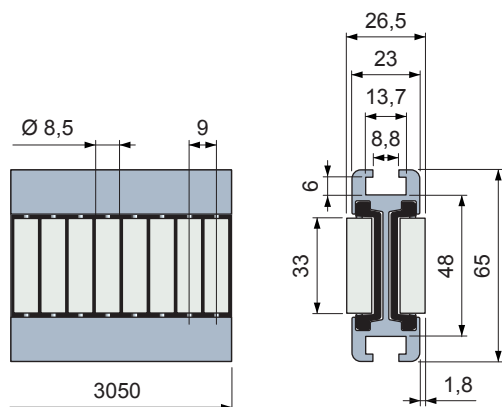
- Best Seller
- Standard
- On request: minimum quantity may apply. Consult our Customer Service for availability.

Item code for order = Part. + Code

Part. S0656



Symmetric central guide



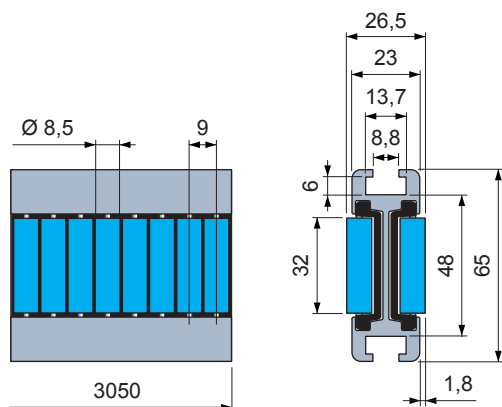
Cylinder rollers material	Code	Weight kg/m
Polyethylene PE (white)	646063	1,96

- Material: metal profile in anodized aluminium, rollers module in acetal POM (black), roller pins in stainless steel.
- Min. curvature radius: 500 mm.
- Standard packaging: strands 3,05 metres.
- Packaging: 2 strands.

Part. S0656



Symmetric central guide



Cylinder rollers material	Code	Weight kg/m
SEBS rubber (Blue)	655783	1,96

- Material: metal profile in anodized aluminium, rollers module in acetal POM (black), roller pins in stainless steel.
- Min. curvature radius: 500 mm.
- Standard packaging: strands 3,05 metres.
- Packaging: 2 strands.

● Best Seller

● Standard

● On request: minimum quantity may apply. Consult our Customer Service for availability.

Item code for order = Part. + Code

Accessories

Part. S0369 - Connecting bar



Fixing

