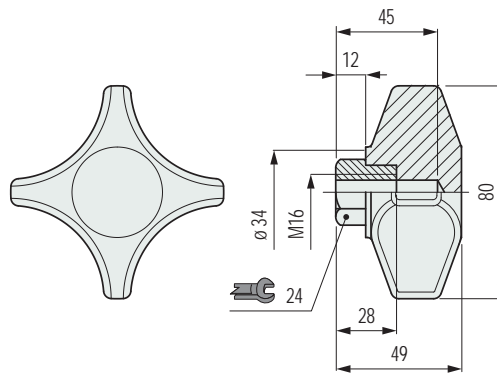


■ Tightening knob

Part. S0625



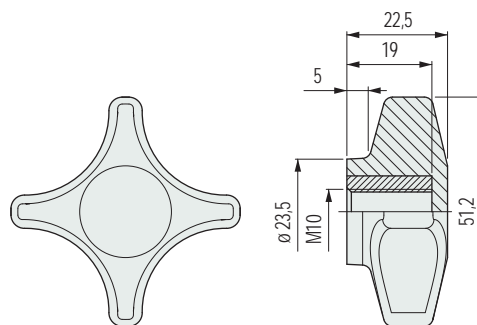
Code

641372

- Material: knob in reinforced polyamide PA FV (black), threaded insert in nickel plated brass.
- Max recommended tightening torque: 3 Kgm (manual tightening), 5 Kgm (tightening with wrench).
For high tightening torques apply a 24 mm wrench to the hexagon of the insert.
- Packaging: 50 pieces.

■ Tightening knob

Part. S0775



Code

612763

- Material: knob in reinforced polyamide PA FV (black), threaded insert in nickel plated brass.
- Max recommended tightening torque: 2,5 Kgm (manual tightening).
- Packaging: 50 pieces.



- Best Seller
- Standard
- On request: minimum quantity may apply. Consult our Customer Service for availability.

Item code for order = Part. + Code