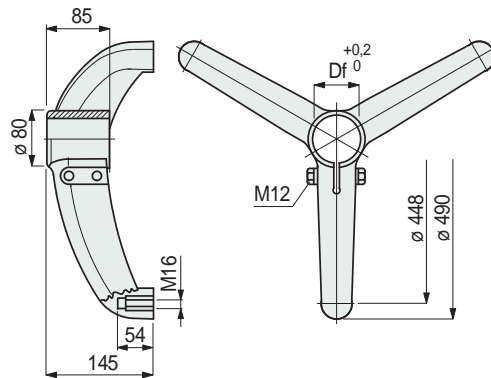


Part. S0615



For round tubes

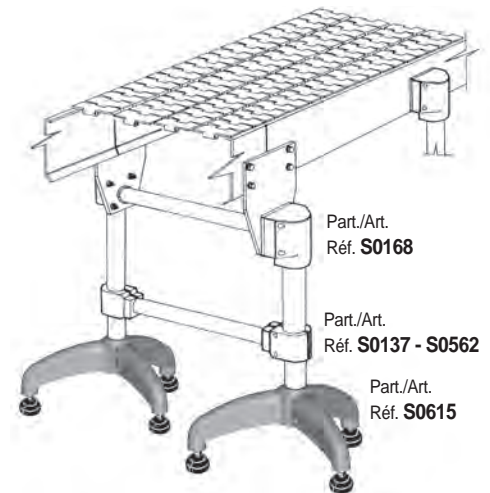
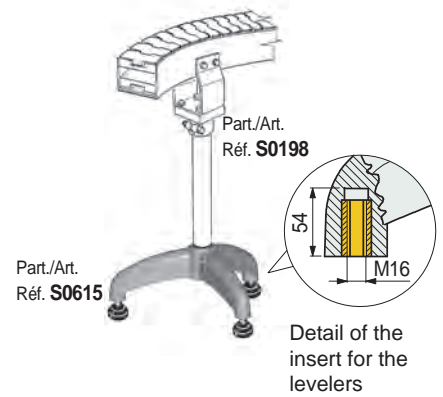
Support base (tripod)



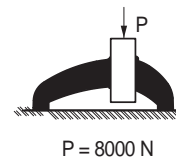
Tube dimensions mm	Bore dia. Df mm	Code
Bolts in austenitic stainless steel		
38,1	38,1	624242
42,4 (1"¼)	42,4	624252
48,3 (1"½)	48,3	624262
50,8	50,8	624272
60,3 (2")	60,3	621522
Bolts in zinc plated steel		
38,1	38,1	638742
42,4 (1"¼)	42,4	638752
48,3 (1"½)	48,3	638762
50,8	50,8	638772
60,3 (2")	60,3	638782

- Material: support base in reinforced polyamide PA FV (black), brass threaded bushings.
- Weight: 1,45 Kg.
- Max recommended tightening torque: 3,6 Kgm.
- Packaging: 8 pieces.

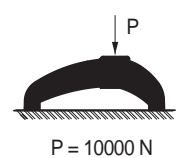
Assembly of Part. S0615



Sliding load

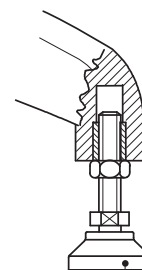


Max applicable load



Tests performed at tightening torque: 3,6 Kgm

Types of levelers that can be used



Part./Art./Réf. R0098 - R0133 - R0323

● Best Seller

● Standard

● On request: minimum quantity may apply. Consult our Customer Service for availability.

Item code for order = Part. + Code