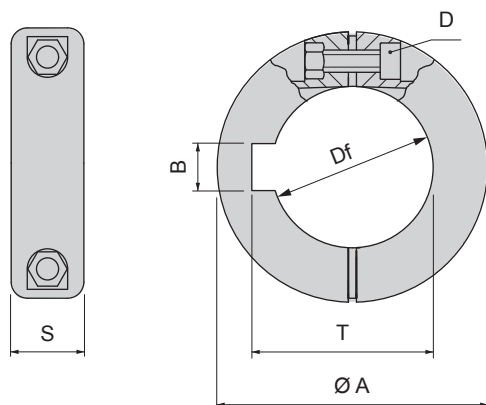


# Part. S0612

## Split shaft collar (with round bore)

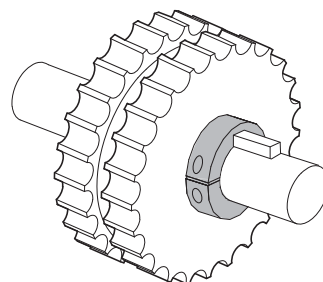


Bore dia.	Ø A	S	B	T	D	Code	Weight
mm	inch	mm	mm	mm	mm		kg
<b>Without seat keyway</b>							
12	-	30	11,7	-	-	M4 655062	-
-	1/2"	30	11,7	-	-	M4 655072	-
14	-	30	11,7	-	-	M4 655082	-
16	5/8"	35	11,7	-	-	M4 655092	-
18	-	40	14	-	-	M4 614712	0,018
-	3/4"	40	14	-	-	M4 655102	-
20	-	40	14	-	-	M4 614722	0,019
25	-	45	14	-	-	M4 619452	0,022
30	-	50	16	-	-	M4 640602	0,026
-	1 1/4"	50	16	-	-	M4 608463	-
35	-	63,5	18	-	-	M5 621553	0,030
-	1 1/2"	63,5	18	-	-	M5 611283	-
40	-	63,5	18	-	-	M5 686232	0,040
<b>With seat keyway</b>							
25	-	45	14	8	28,3	M4 683812	0,022
-	1"	45	14	6,4	28,58	M4 655112	-
30	-	50	16	8	33,3	M4 614732	0,026
-	1 1/4"	50	16	6,4	34,98	M4 655122	-
35	-	63,5	18	10	38,3	M5 614742	0,030
-	1 7/16"	63,5	18	9,58	41,02	M5 605043	-
-	1 1/2"	63,5	18	9,58	42,65	M5 655132	-
40	-	63,5	18	12	43,3	M5 615012	0,040

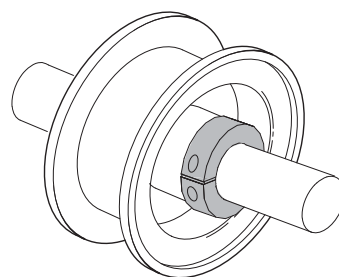
- Material: collar in reinforced polyamide PA FV (black), tightening bolt in austenitic stainless steel.
- Max recommended tightening torque: 0,3 Kgm.
- Packaging: 100 pieces.

### Assembly of Part. S0612 (with round bore)

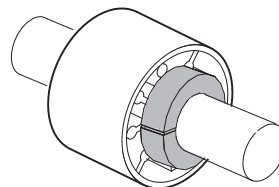
- With sprockets



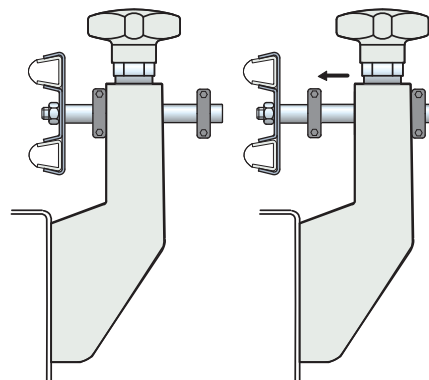
- With idler wheels



- With rollers



- With side brackets



● Best Seller

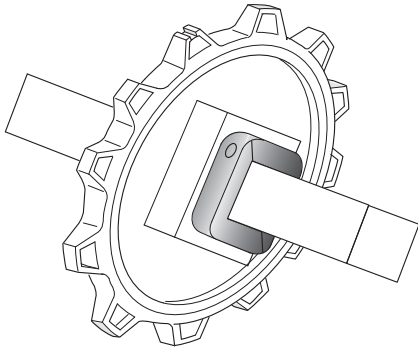
● Standard

● On request: minimum quantity may apply. Consult our Customer Service for availability.

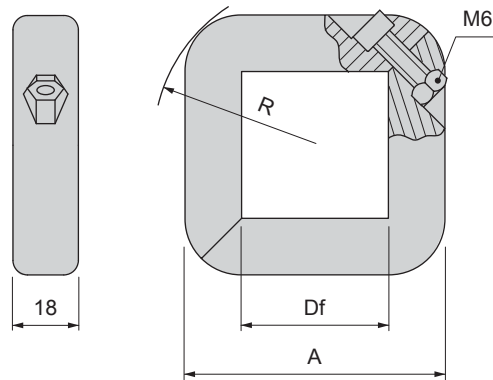
Item code for order = Part. + Code

• **Assembly Part. S0612 (with square bore)**

- Ideal for the locking of MatTop® sprockets.
- Version in reinforced Polyamide PA FV, gives better resistance at high temperatures.
- Version in reinforced Polypropylene PP FV, gives better resistance against chemical agents.



■ **Split shaft collar (with square bore)**



Square bore Df	Material Polyamide PA FV (black)	Material Polypropylene PP FV (black)	A	R	Code	
					mm	inch
<b>Version with metric bore</b>						
40x40	-	<b>692952</b>	<b>689852</b>	72	44	
60x60	-	<b>692962</b>	<b>689862</b>	95	58	
<b>Version with inch bore</b>						
-	1 1/2"	<b>692942</b>	<b>689842</b>	72	44	
-	2 1/2"	<b>692972</b>	<b>689872</b>	95	58	

- Material tightening bolt: austenitic stainless steel.
- Max recommended tightening torque: 0,5 Kgm.
- Packaging: 24 pieces.

- **Best Seller**
- **Standard**
- **On request:** minimum quantity may apply. Consult our Customer Service for availability.

Item code for order = Part. + Code